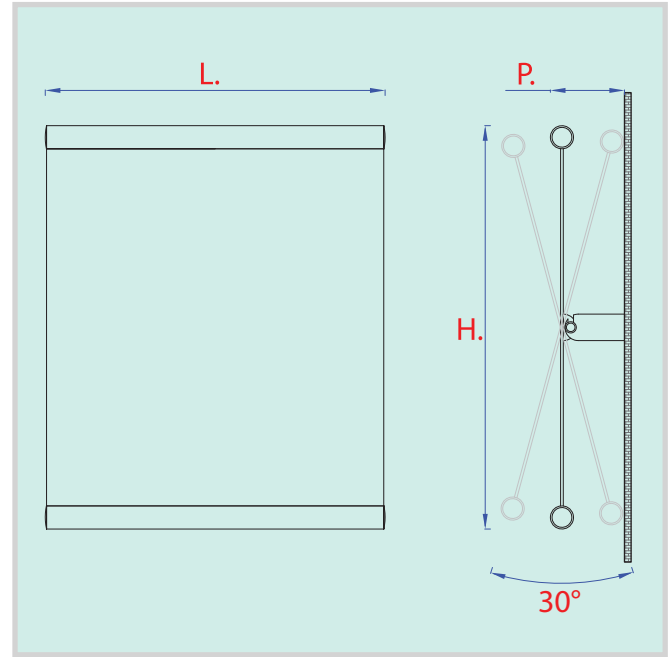
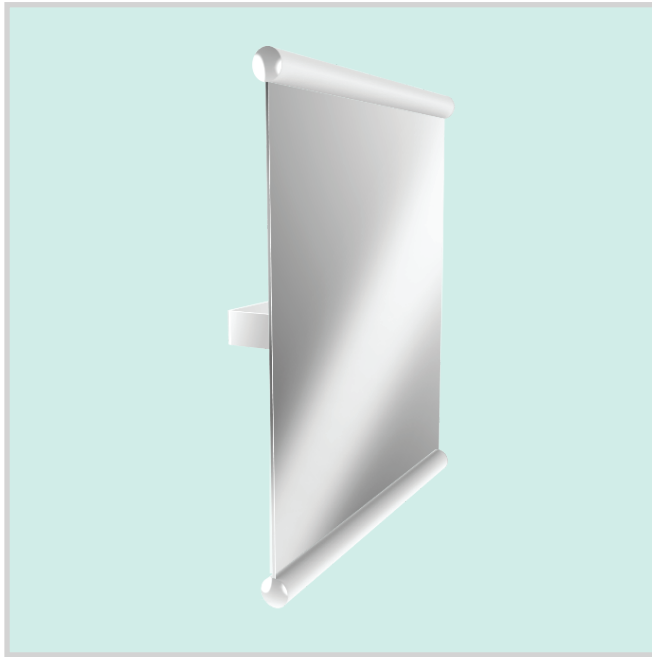


# SO6050P

## ADJUSTABLE MIRROR



### DESCRIPTION

Adjustable mirror with shatter-proof glass, th. 4 mm.  
 Upper and lower edges with tubular protection made of dioxide titanium polymers and chromed caps.  
 Smoothed lateral profiles.  
 Inclination support made of painted steel with epoxy paint.  
 Rear shatter-proof film.  
 Wall fixing through delivered screws and wall plugs.  
 Easy to clean and to maintain, even with detergents.

### SIZE

Standard size H. 610 x L. 510 x P. 130 mm. - different size on demand.

### COLOR

White standard support color and protection tubes.

### CERTIFICATIONS

ISO 9001:2015 quality certification issued by TÜV Italia S.r.l.  
 "Class 1" fire safe certification issued by the Italian Ministry.  
 MIROX SAFE shatter-proof glass th. 4 mm.  
 Absence of bacterial growth certification issued by CSI group IMQ.  
 Declaration of quality office about absence of Cadmium and/or heavy metals.  
 Declaration of quality office about bio-compatibility and recycling.

MPS reserves the right to modify products without previous advice.