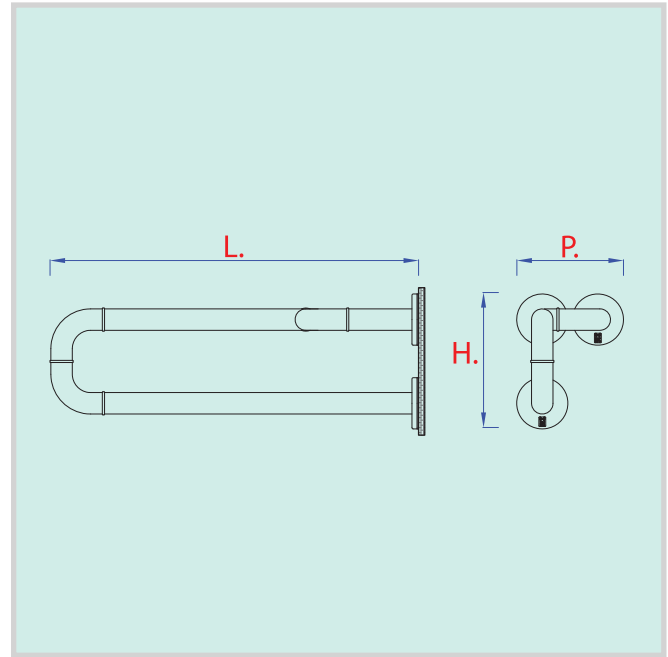
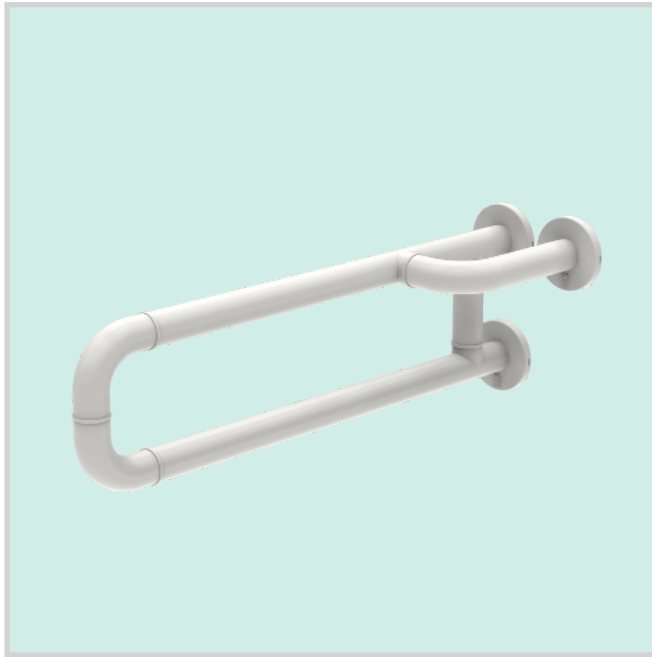


# BSF60P

## FIXED GRAB BAR



### DESCRIPTION

Fixed grab  $\varnothing$  35 mm. mad eof alluminium, th. 2 mm.  
 Cover made of dioxide Titanium Polymers, thickness 3,5 mm.  
 End caps, washers and under washers made of Nylon V0.  
 Multi holes fixing washers made of zinc coated steel with electrical insulation.  
 Wall fixing through delivered screws and wall plugs.  
 Absence of Cadmium, Lead and other heavy metals.  
 Easy to clean and to maintain, even with detergents.

### LOAD

Up to 150 kg.

### SIZE

Including washers L. 600 x P. 180 x H. 285 mm.

### COLOR

Standard Bianco, altri colori su richiesta della gamma MPS.

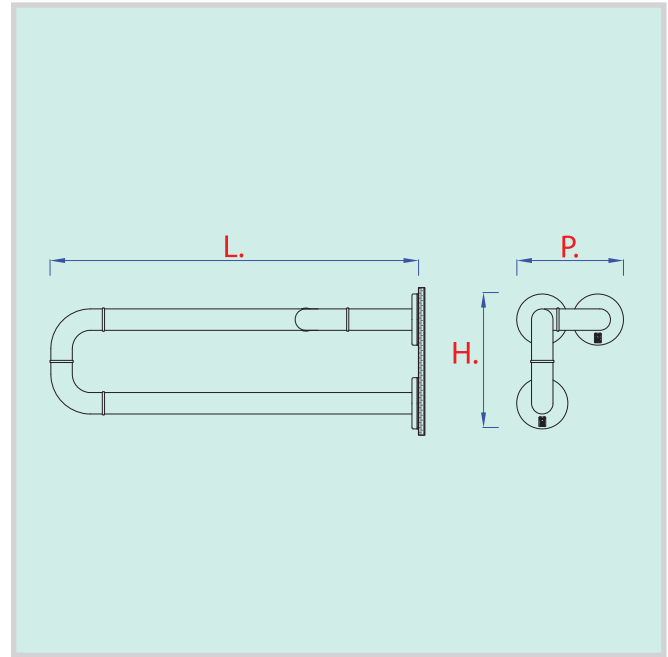
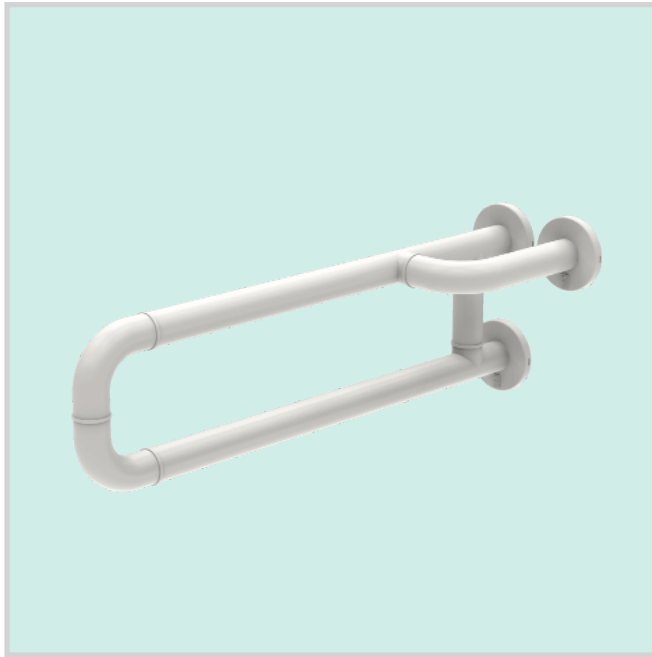
### CERTIFICATIONS

ISO 9001:2015 quality certification issued by TÜV Italia S.r.l  
 "Class 1" fire safe certification issued by the Italian Ministry.  
 Absence of bacterial growth certification issued by CSI group IMQ.  
 Declaration of quality office about absence of Cadmium and/or heavy metals.  
 Declaration of quality office about bio-compatibility and recycling

MPS reserves the right to modify products without previous advice

# BSF80P

## FIXED GRAB BAR



### DESCRIPTION

Fixed grab  $\varnothing$  35 mm. made of aluminium, th. 2 mm.  
 Cover made of dioxide Titanium Polymers, thickness 3,5 mm.  
 End caps, washers and under washers made of Nylon V0.  
 Multi holes fixing washers made of zinc coated steel with electrical insulation.  
 Wall fixing through delivered screws and wall plugs.  
 Absence of Cadmium, Lead and other heavy metals.  
 Easy to clean and to maintain, even with detergents.

### LOAD

Up to 150 kg.

### SIZE

Including washers L. 800 x P. 180 x H. 285 mm.

### COLOR

Standard Bianco, altri colori su richiesta della gamma MPS.

### CERTIFICATIONS

ISO 9001:2015 quality certification issued by TÜV Italia S.r.l  
 "Class 1" fire safe certification issued by the Italian Ministry.  
 Absence of bacterial growth certification issued by CSI group IMQ.  
 Declaration of quality office about absence of Cadmium and/or heavy metals.  
 Declaration of quality office about bio-compatibility and recycling

MPS reserves the right to modify products without previous advice