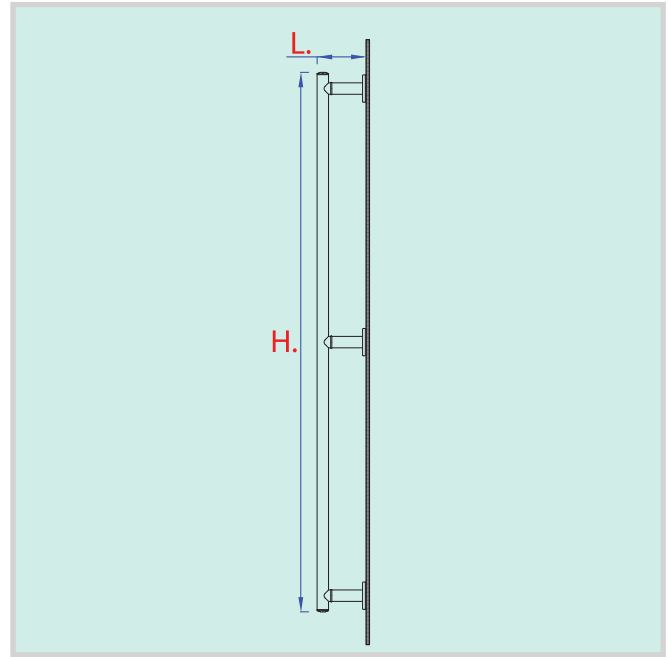
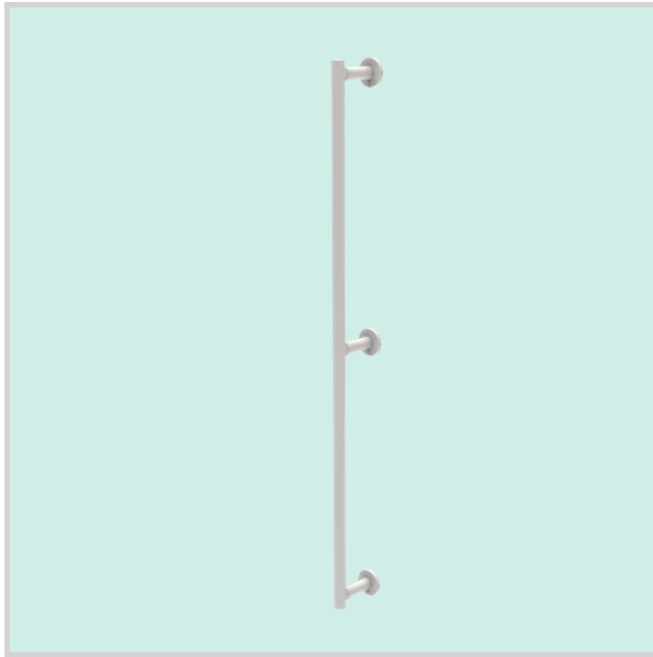


# GPAR165P

## VERTICAL WALL TO WALL GRAB BAR



### DESCRIPTION

Vertical grab  $\varnothing$  35 mm. with alluminium grab bar, th. 2 mm.  
 Cover made of dioxide titanium polymers, th. 3,5 mm.  
 Gemma closing caps made of Nylon V0.  
 Cover and under washers made of Nylon V0.  
 Multi holes fixing washers made of zinc coated steel with electrical insulation.  
 Wall fixing through delivered screws and wall plugs.  
 Absence of Cadmium, Lead and other heavy metals.  
 Easy to clean and to maintain, even with detergents.

### LOAD

Up to 150 kg.

### SIZE

Including washers H. 1650 x L. 150 mm..

### COLOR

Standard white, other colors on demand of MPS range

### CERTIFICATIONS

ISO 9001:2015 quality certification issued by TÜV Italia S.r.l.  
 "Class 1" fire safe certification issued by the Italian Ministry.  
 Absence of bacterial growth certification issued by CSI group IMQ.  
 Declaration of quality office about absence of Cadmium and/or heavy metals.  
 Declaration of quality office about bio-compatibility and recycling

MPS reserves the right to modify products without previous advice.