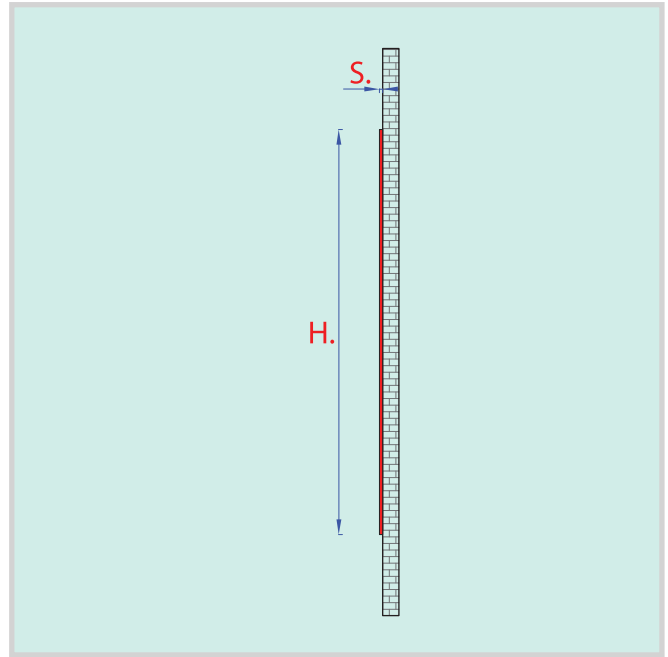
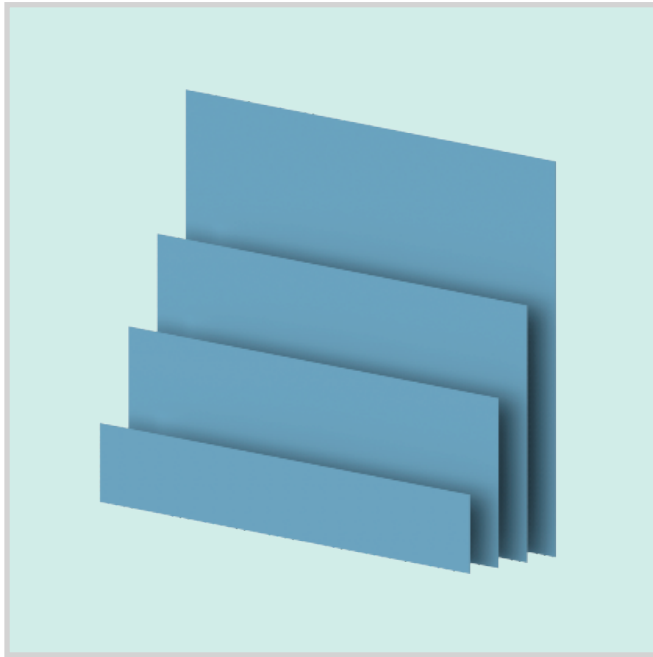


F2 100

WALL PROTECTION STRIP



DESCRIPTION

Wall protection strip h 97 mm. made of dioxide titanium polymers th. 2 mm.
 "FINE" embossing for a perfect hygiene.
 Anti pollution, anti bacterial, odorless.
 High shock-resistance and weather chemicals resistance.
 Wall fixing through glue.

LOAD

Shock-resistance 300 kg.

SIZE

H. 97 mm . S. 2 mm. - bars of 3 mtl - multiple of 39 mtl.

COLOR

S0 White - S1 Ivory- S2 Pastel blue - S3 Pastel green- S4 Light grey - S6 Yellow-
 S7 Blue - S8 Moos green - S9 Silver grey - S10 Pale brown - S12 Red - S-14 Salmon

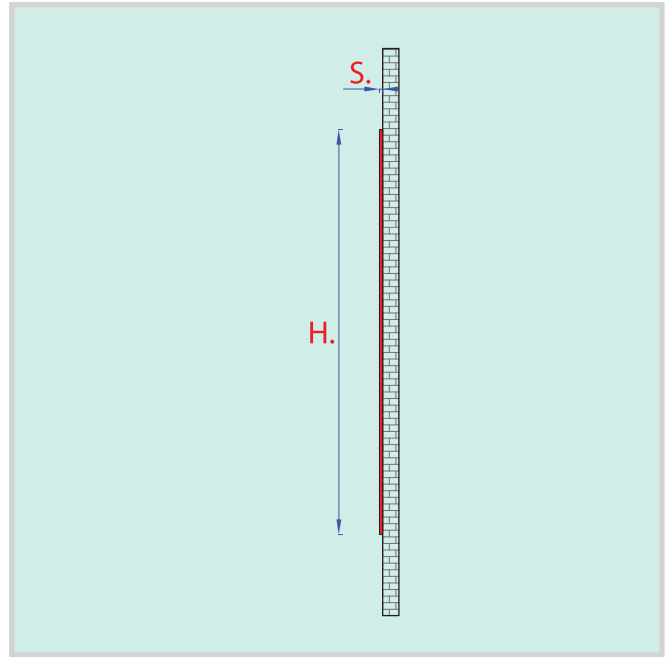
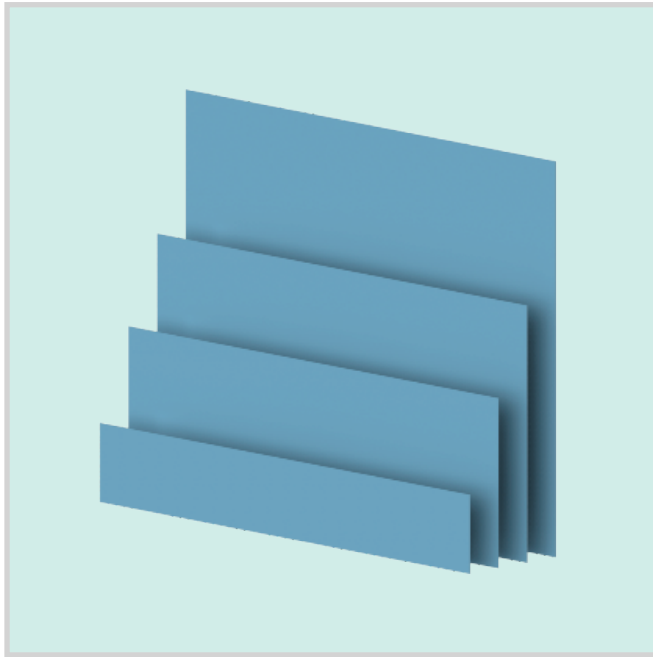
CERTIFICATIONS

ISO 9001:2015 quality certification issued by TÜV Italia S.r.l.
 Fire safe CE B-s2,d0 certification.
 Absence of bacterial growth certification issued by CSI group IMQ.
 Declaration of quality office about absence of Cadmium and/or heavy metals.
 Declaration of quality office about bio-compatibility and recycling.

MPS reserves the right to modify products without previous advice

F2 150

WALL PROTECTION STRIP



DESCRIPTION

Wall protection strip h 147 mm. made of dioxide titanium polymers th. 2 mm.
 "FINE" embossing for a perfect hygiene.
 Anti pollution, anti bacterial, odorless.
 High shock-resistance and weather chemicals resistance.
 Wall fixing through glue.

LOAD

Shock-resistance 300 kg.

SIZE

H. 147 mm . S. 2 mm. - bars of 3 mtl. - multiple of 24 mtl.

COLOR

S0 White - S1 Ivory- S2 Pastel blue - S3 Pastel green- S4 Light grey - S6 Yellow-
 S7 Blue - S8 Moos green - S9 Silver grey - S10 Pale brown - S12 Red - S-14 Salmon

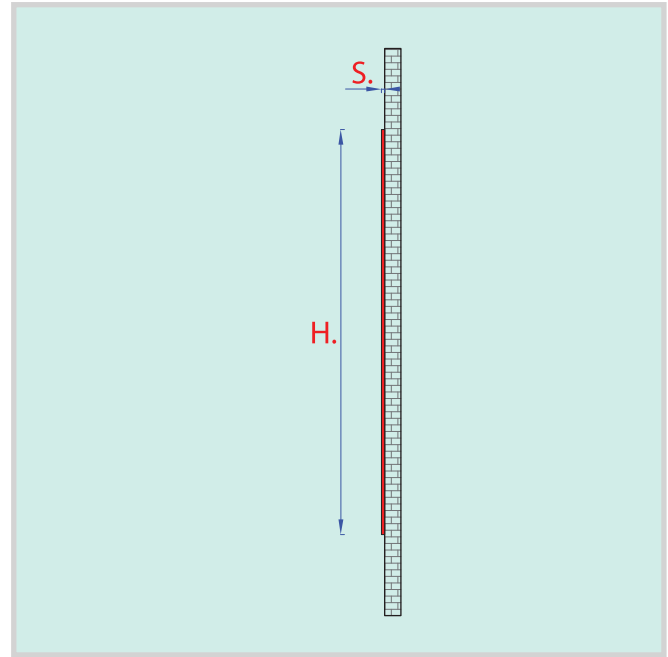
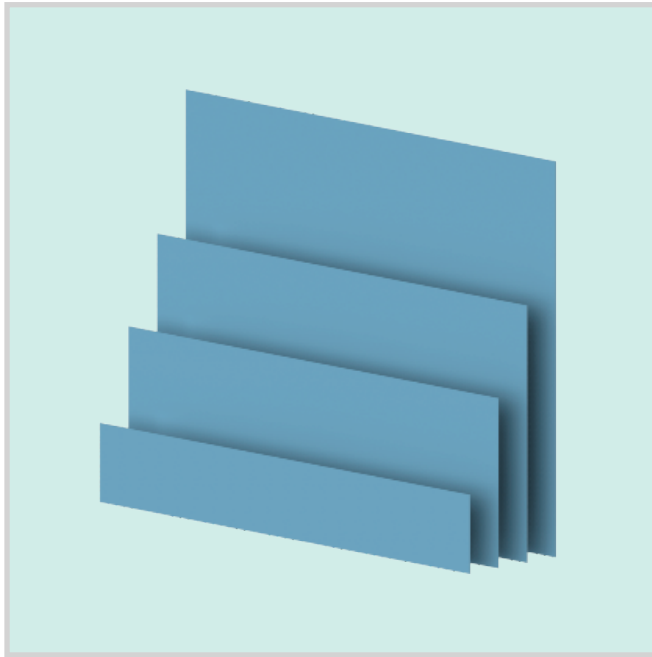
CERTIFICATIONS

ISO 9001:2015 quality certification issued by TÜV Italia S.r.l.
 Fire safe CE B-s2,d0 certification.
 Absence of bacterial growth certification issued by CSI group IMQ.
 Declaration of quality office about absence of Cadmium and/or heavy metals.
 Declaration of quality office about bio-compatibility and recycling.

MPS reserves the right to modify products without previous advice.

F2 200

WALL PROTECTION STRIP



DESCRIPTION

Wall protection strip h 197 mm. made of dioxide titanium polymers th. 2 mm.
 "FINE" embossing for a perfect hygiene.
 Anti pollution, anti bacterial, odorless.
 High shock-resistance and weather chemicals resistance.
 Wall fixing through glue.

LOAD

Shock-resistance 300 kg.

SIZE

H. 197 mm . S. 2 mm. - bars of 3 mtl. - multiple of 18 mtl.

COLOR

S0 White - S1 Ivory- S2 Pastel blue - S3 Pastel green- S4 Light grey - S6 Yellow-
 S7 Blue - S8 Moos green - S9 Silver grey - S10 Pale brown - S12 Red - S-14 Salmon

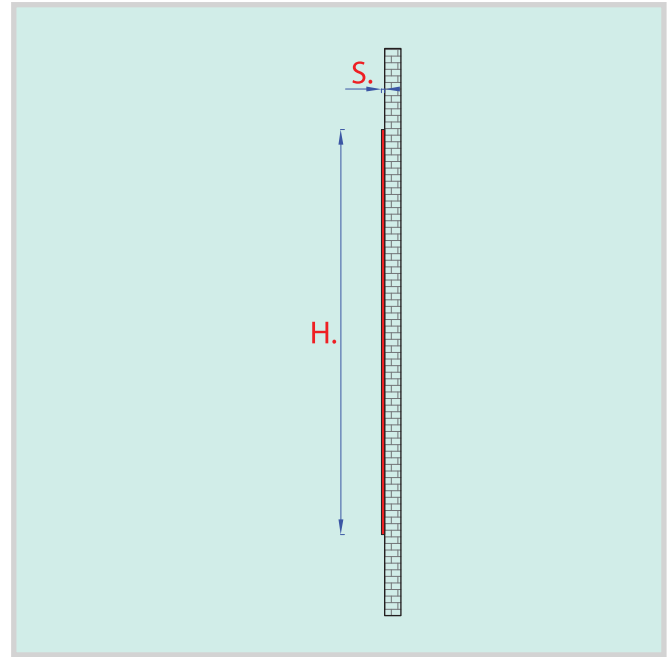
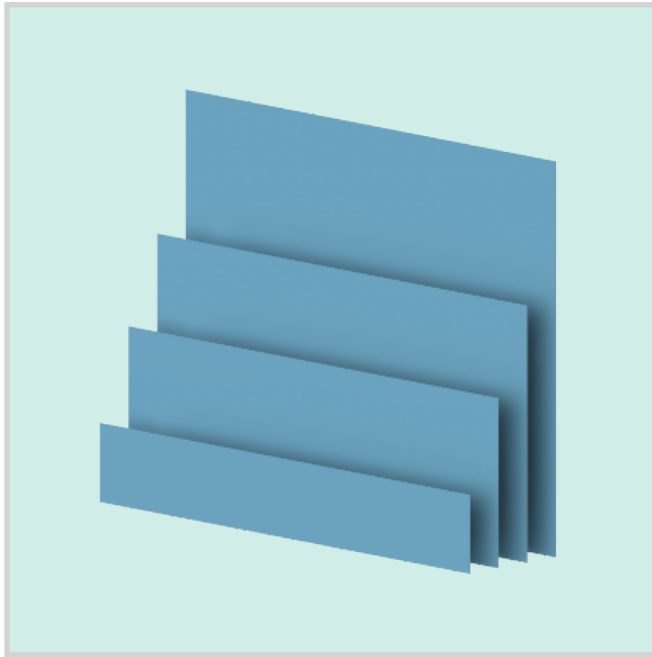
CERTIFICATIONS

ISO 9001:2015 quality certification issued by TÜV Italia S.r.l.
 Fire safe CE B-s2,d0 certification.
 Absence of bacterial growth certification issued by CSI group IMQ.
 Declaration of quality office about absence of Cadmium and/or heavy metals.
 Declaration of quality office about bio-compatibility and recycling.

MPS reserves the right to modify products without previous advice.

F2 250

WALL PROTECTION STRIP



DESCRIPTION

Wall protection strip h 247 mm. made of dioxide titanium polymers th. 2 mm.
"FINE" embossing for a perfect hygiene.
Anti pollution, anti bacterial, odorless.
High shock-resistance and weather chemicals resistance.
Wall fixing through glue.

LOAD

Resistenza agli urti 300 kg.

MISURE

H. 247 mm . S. 2 mm. - in barre 3 mtl. - in multipli da 15 mtl.

COLOR

S0 Bianco - S1Aavorio - S2 Azzurro - S3 Verde Pastello - S4 Grigio Chiaro - S6 Giallo - S7 Blu
S8 Verde Scuro - S9 Grigio Argento - S10 Marrone - S12 Rosso - S14 Salmone

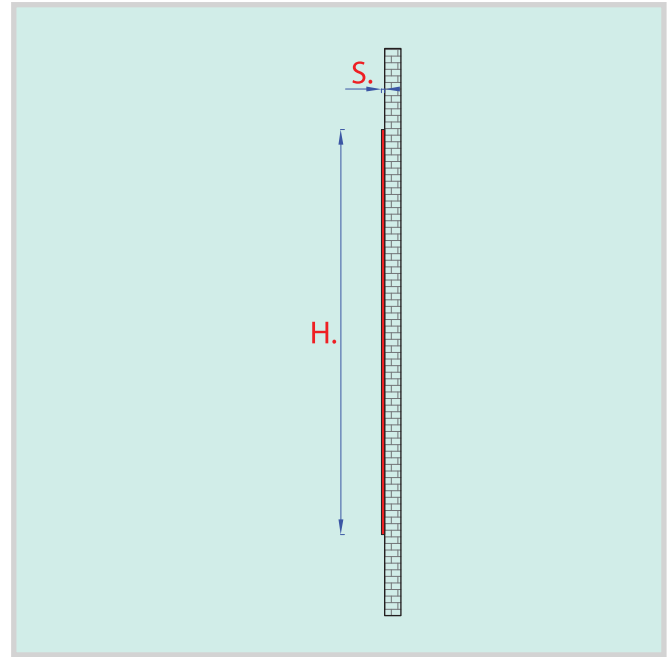
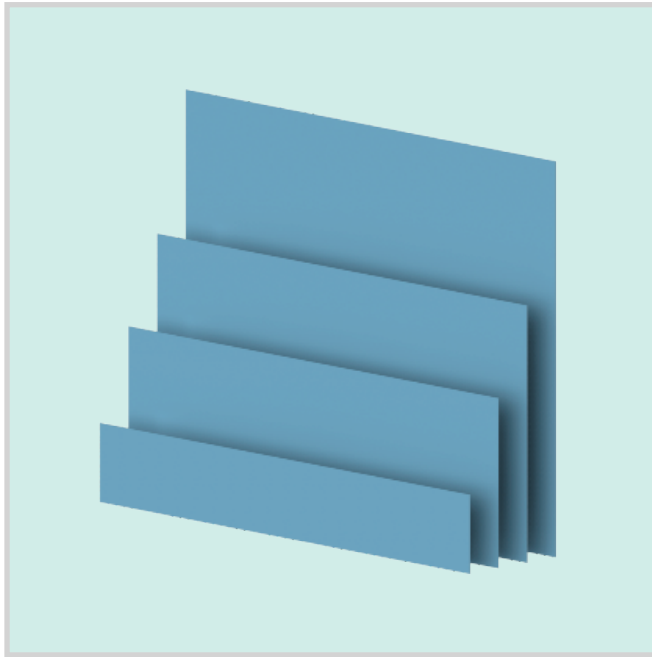
CERTIFICATIONS

ISO 9001:2015 quality certification issued by TÜV Italia S.r.l.
Fire safe CE B-s2,d0 certification.
Absence of bacterial growth certification issued by CSI group IMQ.
Declaration of quality office about absence of Cadmium and/or heavy metals.
Declaration of quality office about bio-compatibility and recycling.

MPS reserves the right to modify products without previous advice.

F2 300

WALL PROTECTION STRIP



DESCRIPTION

Wall protection strip h 297 mm. made of dioxide titanium polymers th. 2 mm
"FINE" embossing for a perfect hygiene.
Anti pollution, anti bacterial, odorless.
High shock-resistance and weather chemicals resistance.
Wall fixing through glue.

LOAD

Shock-resistance 300 kg.

SIZE

H. 297 mm . S. 2 mm. - bars of 3 mtl. - multiple of 12 mtl.

COLOR

S0 White - S1 Ivory- S2 Pastel blue - S3 Pastel green- S4 Light grey - S6 Yellow-
S7 Blue - S8 Moos green - S9 Silver grey - S10 Pale brown - S12 Red - S-14 Salmon

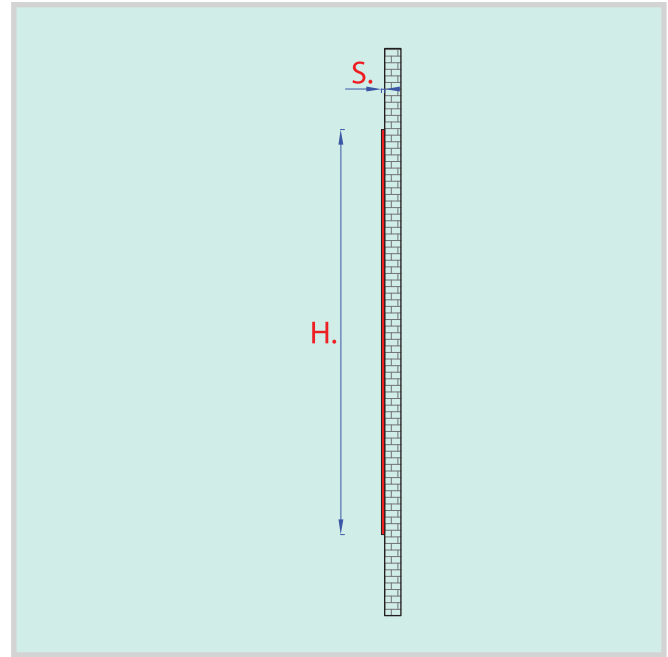
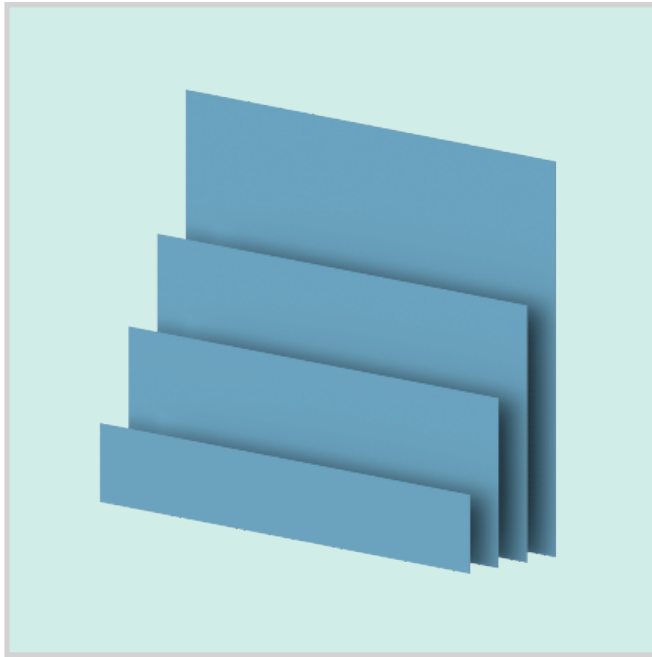
CERTIFICATIONS

ISO 9001:2015 quality certification issued by TÜV Italia S.r.l.
Fire safe CE B-s2,d0 certification.
Absence of bacterial growth certification issued by CSI group IMQ.
Declaration of quality office about absence of Cadmium and/or heavy metals.
Declaration of quality office about bio-compatibility and recycling.

MPS reserves the right to modify products without previous advice.

F2 430

WALL PROTECTION STRIP



DESCRIPTION

Wall protection strip h 427 mm. made of dioxide titanium polymers th. 2 mm.
"FINE" embossing for a perfect hygiene.
Anti pollution, anti bacterial, odorless
High shock-resistance and weather chemicals resistance.
Wall fixing through glue.

LOAD

Shock-resistance 300 kg.

SIZE

H. 427 mm . S. 2 mm. - bars 3 mtl. - multiple 9 mtl.

COLOR

S0 White - S1 Ivory- S2 Pastel blue - S3 Pastel green- S4 Light grey - S6 Yellow-
S7 Blue - S8 Moos green - S9 Silver grey - S10 Pale brown - S12 Red - S-14 Salmon

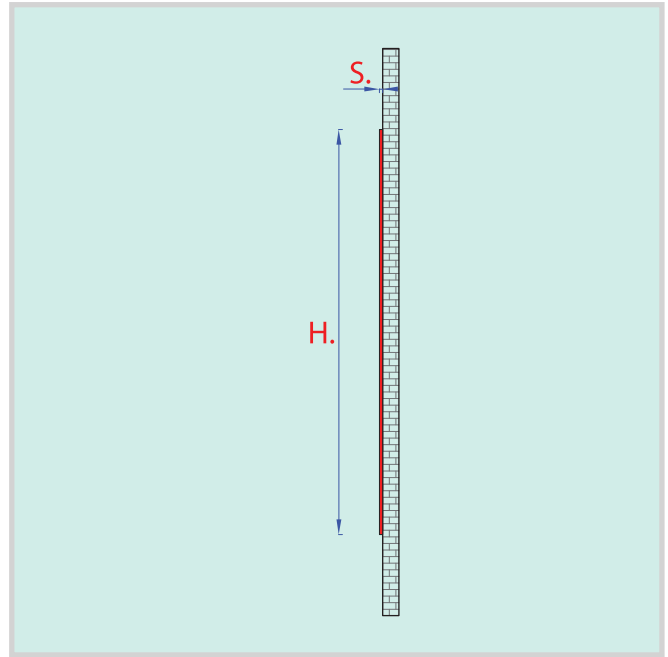
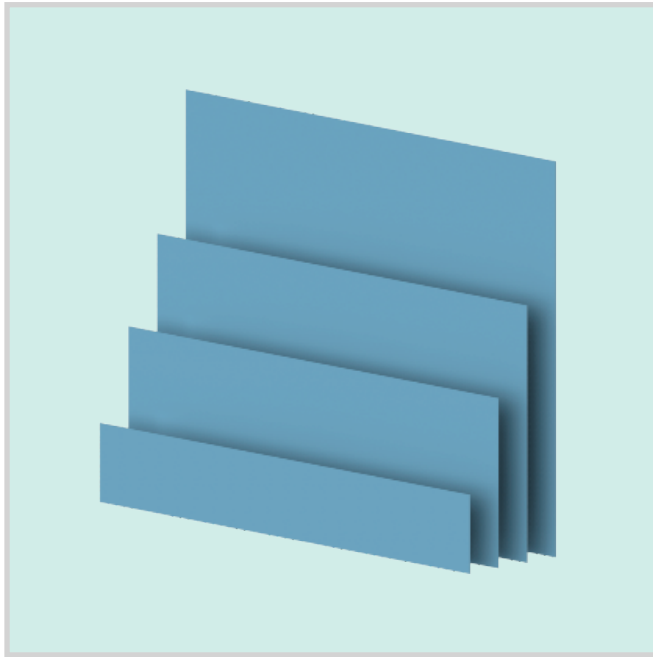
CERTIFICATIONS

ISO 9001:2015 quality certification issued by TÜV Italia S.r.l.
Fire safe CE B-s2,d0 certification
Absence of bacterial growth certification issued by CSI group IMQ.
Declaration of quality office about absence of Cadmium and/or heavy metals.
Declaration of quality office about bio-compatibility and recycling.

MPS reserves the right to modify products without previous advice.

F2 650

WALL PROTECTION STRIP



DESCRIPTION

Wall protection strip h 647 mm. made of dioxide titanium polymers th. 2 mm.
 "FINE" embossing for a perfect hygiene.
 Anti pollution, anti bacterial, odorless.
 High shock-resistance and weather chemicals resistance.
 Wall fixing through glue.

LOAD

Shock-resistance 300 kg.

SIZE

H. 647 mm . S. 2 mm. - bars of 3 mtl. - multiple of 6 mtl.

COLOR

S0 White - S1 Ivory- S2 Pastel blue - S3 Pastel green- S4 Light grey - S6 Yellow-
 S7 Blue - S8 Moos green - S9 Silver grey - S10 Pale brown - S12 Red - S-14 Salmon

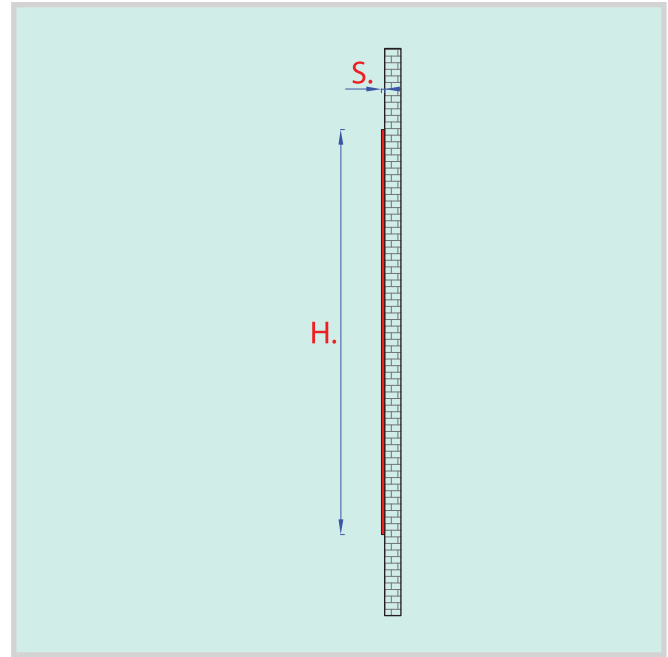
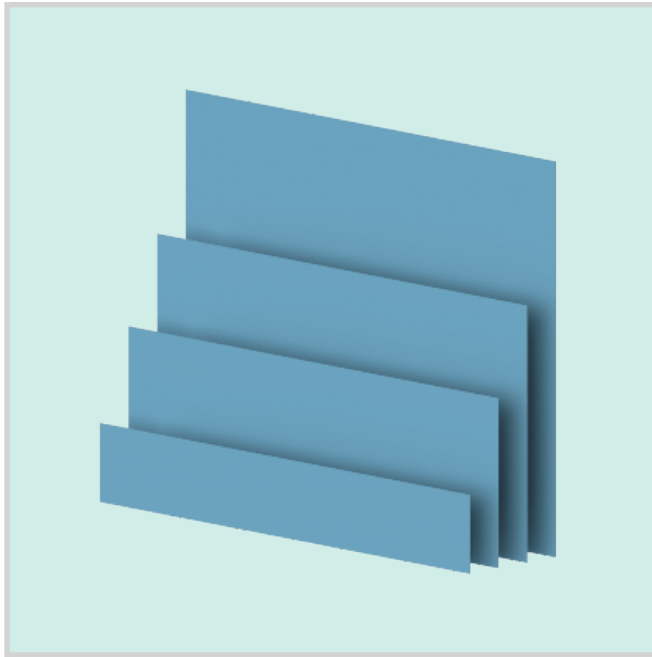
CERTIFICAZIONI

ISO 9001:2015 quality certification issued by TÜV Italia S.r.l.
 Fire safe CE B-s2,d0 certification.
 Absence of bacterial growth certification issued by CSI group IMQ.
 Declaration of quality office about absence of Cadmium and/or heavy metals.
 Declaration of quality office about bio-compatibility and recycling.

MPS reserves the right to modify products without previous advice.

F2 1000

WALL PROTECTION STRIP



DESCRIPTION

Wall protection strip h 997 mm. made of dioxide titanium polymers th. 2 mm.
"FINE" embossing for a perfect hygiene.
Anti pollution, anti bacterial, odorless.
High shock-resistance and weather chemicals resistance.
Wall fixing through glue.

LOAD

Shock-resistance 300 kg.

SIZE

H. 997 mm . S. 2 mm. - bars of 1,3 mtl. - multiple of 3,9 mtl.

COLOR

S0 White - S1 Ivory- S2 Pastel blue - S3 Pastel green- S4 Light grey - S6 Yellow-
S7 Blue - S8 Moos green - S9 Silver grey - S10 Pale brown - S12 Red - S-14 Salmon

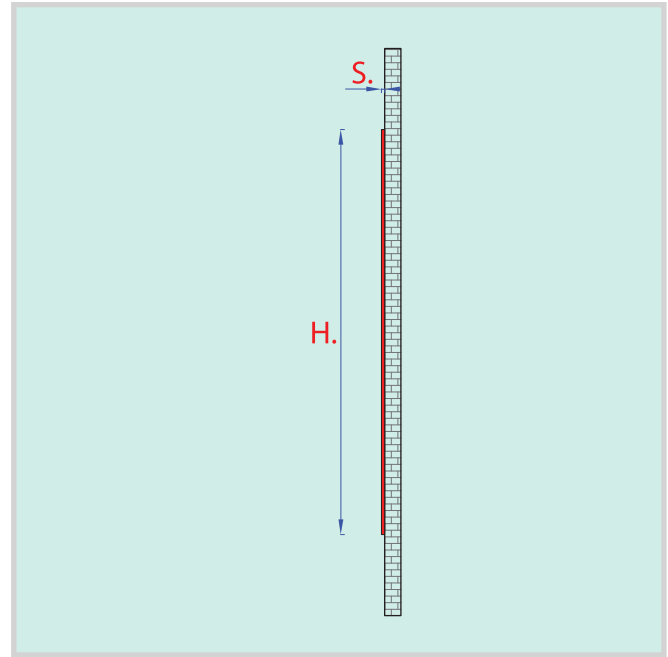
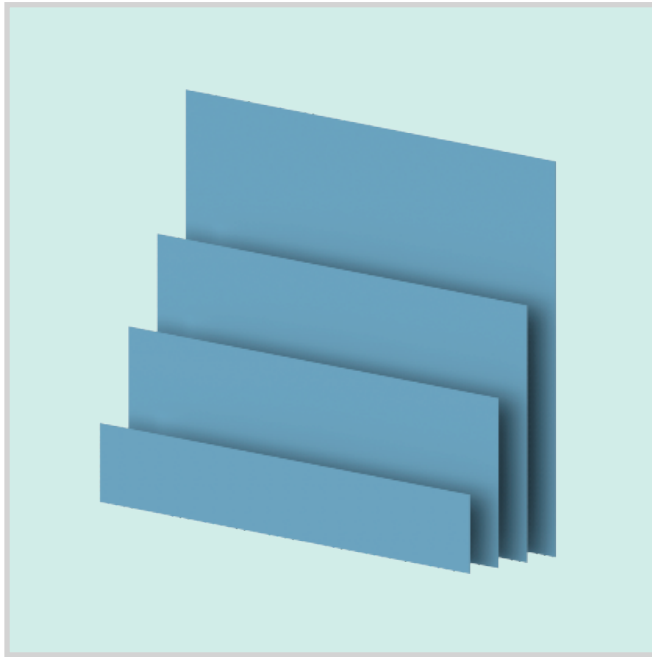
CERTIFICATIONS

ISO 9001:2015 quality certification issued by TÜV Italia S.r.l.
Fire safe CE B-s2,d0 certification.
Absence of bacterial growth certification issued by CSI group IMQ.
Declaration of quality office about absence of Cadmium and/or heavy metals.
Declaration of quality office about bio-compatibility and recycling.

MPS reserves the right to modify products without previous advice.

F2 3000

WALL PROTECTION SHEET



DESCRIPTION

Wall protection sheet h 1300 mm. made of dioxide titanium polymers th. 2 mm
"FINE" embossing for a perfect hygiene.
Anti pollution, anti bacterial, odorless.
High shock-resistance and weather chemicals resistance.
Wall fixing through glue.

LOAD

Shock-resistance 300 kg.

SIZE

H. 1300 mm. S. 2 mm. - bars of 3 mtl. - multiple of 3 mtl.

COLOR

S0 White - S1 Ivory- S2 Pastel blue - S3 Pastel green- S4 Light grey - S6 Yellow-
S7 Blue - S8 Moos green - S9 Silver grey - S10 Pale brown - S12 Red - S-14 Salmon

CERTIFICATIONS

ISO 9001:2015 quality certification issued by TÜV Italia S.r.l.
Fire safe CE B-s2,d0 certification.
Absence of bacterial growth certification issued by CSI group IMQ.
Declaration of quality office about absence of Cadmium and/or heavy metals.
Declaration of quality office about bio-compatibility and recycling.

MPS reserves the right to modify products without previous advice.

F2 SERIE

	Color	MPS Reference	RAL Reference
	White	S0	9010
	Light ivory	S1	1015
	Pastel blue	S2	5024
	Pastel green	S3	6019
	Light grey	S4	7035
	Anthracite grey	S5	7016
	Yellow	S6	1021
	Blue	S7	5001
	Moss green	S8	6005
	Silver grey	S9	7001
	Pale brown	S10	8025
	Traffic black (*if order)	S11	9017
	Red	S12	3003
	Wild Rose	S13	
	Salmon	S14	3022
	Aluminum	S15	

The ral colors references in the a.m. table are indicative and not binding as a plastic material and are subject to variation of 0.5%
They can be modified at any time for production reasons and market needs

The representation of the reported RAL colors is to be considered approximate, caused by the difference of the representation on the screen.
For an exact re-production of colors we suggest to refer to an original RAL color chart