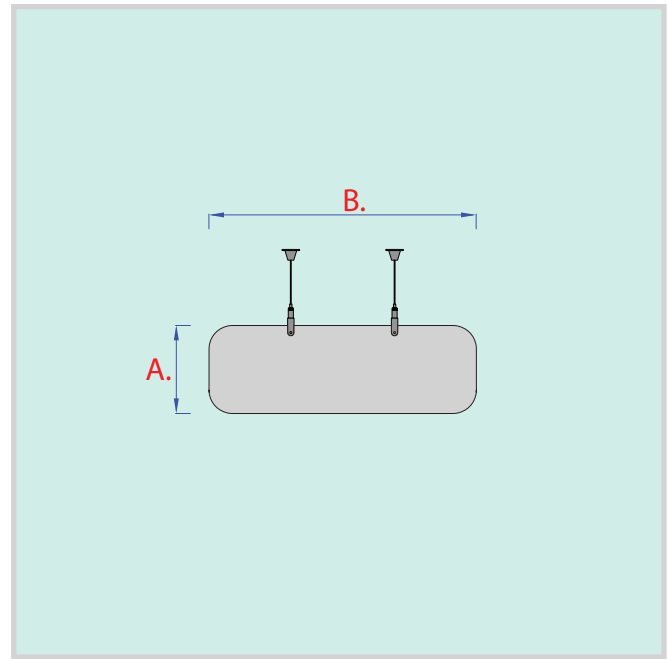


# PP1297KS

## SUSPENDED FLAT PLATES



### DESCRIPTION

Environmental signposting with flat plate made of Plexiglass with rounded corners  
 Ceiling fixing system with steel cables and ceiling hook with hidden screw  
 and cable clamps  
 Direct print or print on adhesive

### ADDITIONAL ACCESSORIES (FOR MULTIPLE PLATE)

Junction kit KGPS and sheet PP1297

### SIZE

A. 105 x B. 297 mm.

### COLOR

Glossy transparent with chrome spacers - Other colors and size on demand.

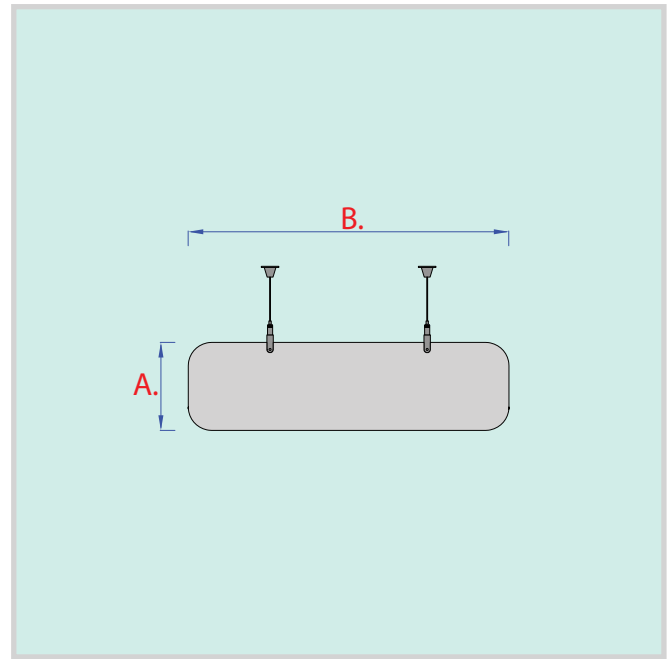
### CERTIFICATIONS

ISO 9001:2015 quality certification issued by TÜV Italia S.r.l.

MPS reserves the right to modify products without previous advice.

# PP1420KS

## SUSPENDED FLAT PLATES



### DESCRIPTION

Environmental signposting with flat plate made of Plexiglass with rounded corners  
Ceiling fixing system with steel cables and ceiling hook with hidden screw and cable clamps  
Direct print or print on adhesive

### ADDITIONAL ACCESSORIES (FOR MULTIPLE PLATE)

Junction kit KGPS and sheet PP1297

### SIZE

A. 105 x B. 420 mm.

### COLOR

Glossy transparent with chrome spacers - Other colors and size on demand.

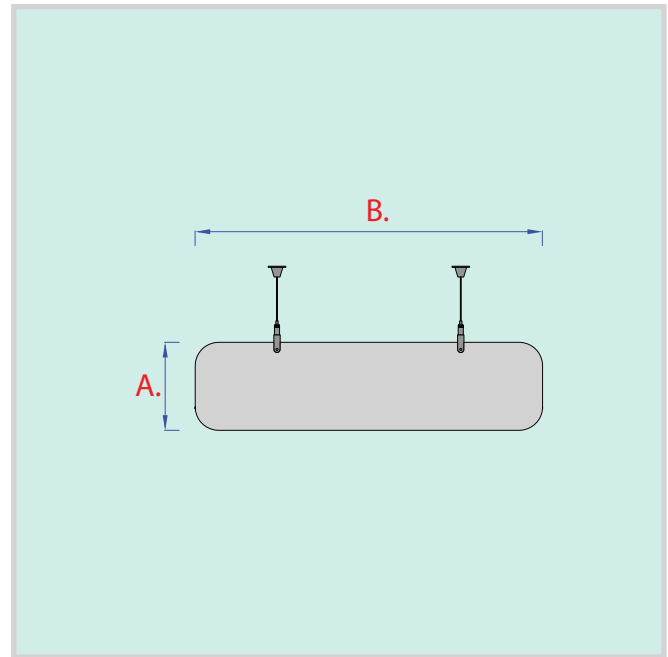
### CERTIFICATIONS

ISO 9001:2015 quality certification issued by TÜV Italia S.r.l.

MPS reserves the right to modify products without previous advice.

# PP1594KS

## SUSPENDED FLAT PLATES



### DESCRIPTION

Environmental signposting with flat plate made of Plexiglass with rounded corners  
Ceiling fixing system with steel cables and ceiling hook with hidden screw  
and cable clamps  
Direct print or print on adhesive

### ADDITIONAL ACCESSORIES (FOR MULTIPLE PLATE)

Junction kit KGPS and sheet PP1297

### SIZE

A. 105 x B. 594 mm.

### COLOR

Glossy transparent with chrome spacers - Other colors and size on demand.

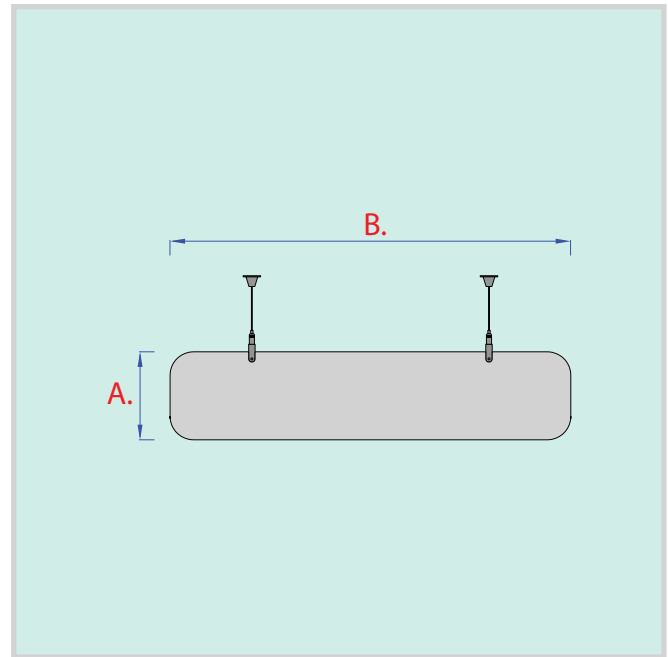
### CERTIFICATIONS

ISO 9001:2015 quality certification issued by TÜV Italia S.r.l.

MPS reserves the right to modify products without previous advice.

# PP1841KS

## SUSPENDED FLAT PLATES



### DESCRIPTION

Environmental signposting with flat plate made of Plexiglass with rounded corners  
Ceiling fixing system with steel cables and ceiling hook with hidden screw and cable clamps  
Direct print or print on adhesive

### ADDITIONAL ACCESSORIES (FOR MULTIPLE PLATE)

Junction kit KGPS and sheet PP1297

### SIZE

A. 105 x B. 841 mm.

### COLOR

Glossy transparent with chrome spacers - Other colors and size on demand.

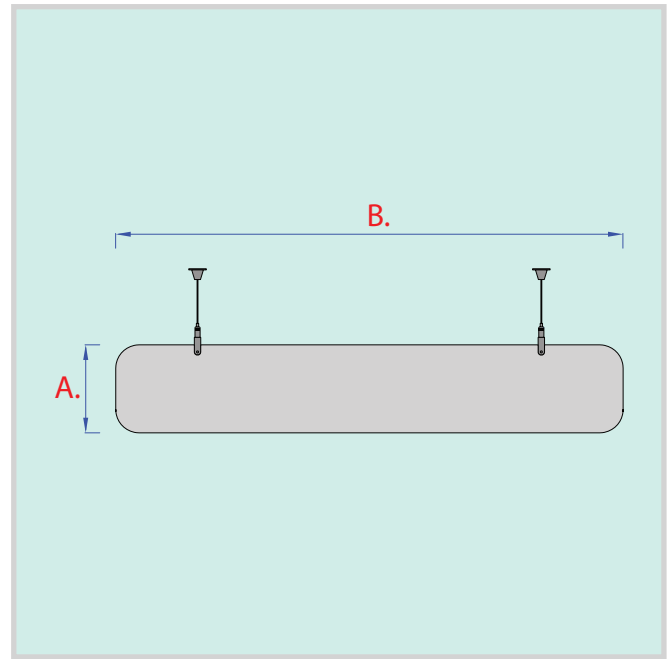
### CERTIFICATIONS

ISO 9001:2015 quality certification issued by TÜV Italia S.r.l.

MPS reserves the right to modify products without previous advice.

# PP11000KS

## SUSPENDED FLAT PLATES



### DESCRIPTION

Environmental signposting with flat plate made of Plexiglass with rounded corners  
Ceiling fixing system with steel cables and ceiling hook with hidden screw and cable clamps  
Direct print or print on adhesive

### ADDITIONAL ACCESSORIES (FOR MULTIPLE PLATE)

Junction kit KGPS and sheet PP1297

### SIZE

A. 105 x B. 1000 mm.

### COLOR

Glossy transparent with chrome spacers - Other colors and size on demand.

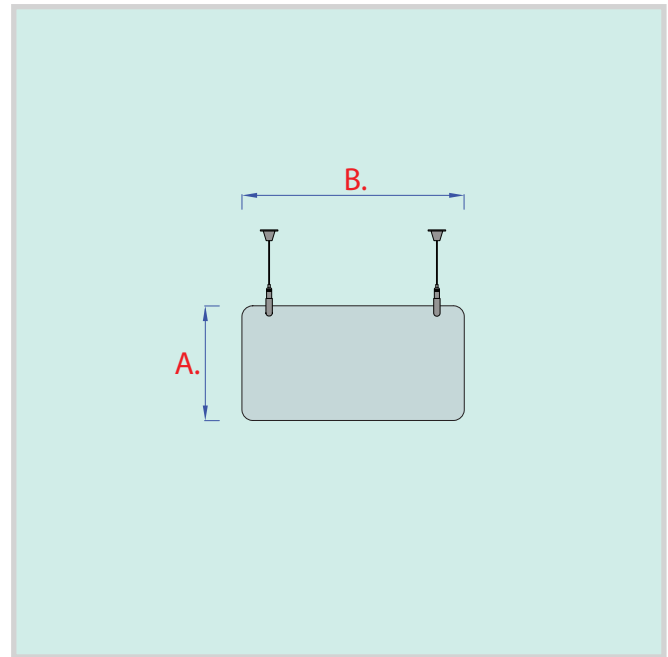
### CERTIFICATIONS

ISO 9001:2015 quality certification issued by TÜV Italia S.r.l.

MPS reserves the right to modify products without previous advice.

# PP2297KS

## SUSPENDED FLAT PLATES



### DESCRIPTION

Environmental signposting with flat plate made of Plexiglass with rounded corners  
Ceiling fixing system with steel cables and ceiling hook with hidden screw and cable clamps  
Direct print or print on adhesive

### ADDITIONAL ACCESSORIES (FOR MULTIPLE PLATE)

Junction kit KGPS and sheet PP1297

### SIZE

A. 148 x B. 297 mm.

### COLOR

Glossy transparent with chrome spacers - Other colors and size on demand.

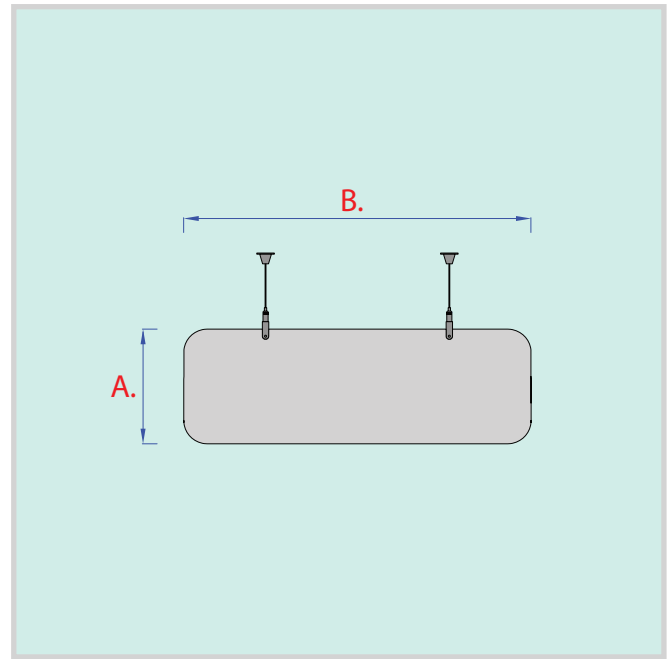
### CERTIFICATIONS

ISO 9001:2015 quality certification issued by TÜV Italia S.r.l.

MPS reserves the right to modify products without previous advice.

# PP2420KS

## SUSPENDED FLAT PLATES



### DESCRIPTION

Environmental signposting with flat plate made of Plexiglass with rounded corners  
Ceiling fixing system with steel cables and ceiling hook with hidden screw and cable clamps  
Direct print or print on adhesive

### ADDITIONAL ACCESSORIES (FOR MULTIPLE PLATE)

Junction kit KGPS and sheet PP1297

### SIZE

A. 148 x B. 420 mm.

### COLOR

Glossy transparent with chrome spacers - Other colors and size on demand.

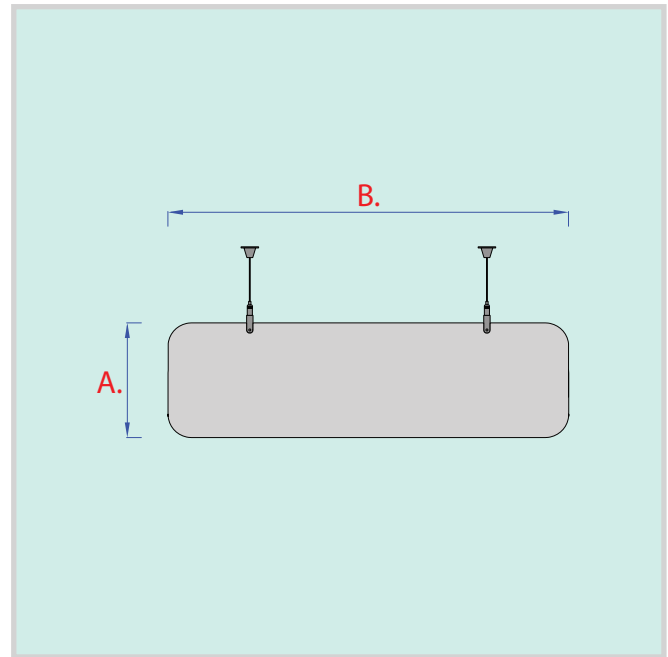
### CERTIFICATIONS

ISO 9001:2015 quality certification issued by TÜV Italia S.r.l.

MPS reserves the right to modify products without previous advice.

# PP2594KS

## SUSPENDED FLAT PLATES



### DESCRIPTION

Environmental signposting with flat plate made of Plexiglass with rounded corners  
Ceiling fixing system with steel cables and ceiling hook with hidden screw  
and cable clamps  
Direct print or print on adhesive

### ADDITIONAL ACCESSORIES (FOR MULTIPLE PLATE)

Junction kit KGPS and sheet PP1297

### SIZE

A. 148 x B. 594 mm.

### COLOR

Glossy transparent with chrome spacers - Other colors and size on demand.

### CERTIFICATIONS

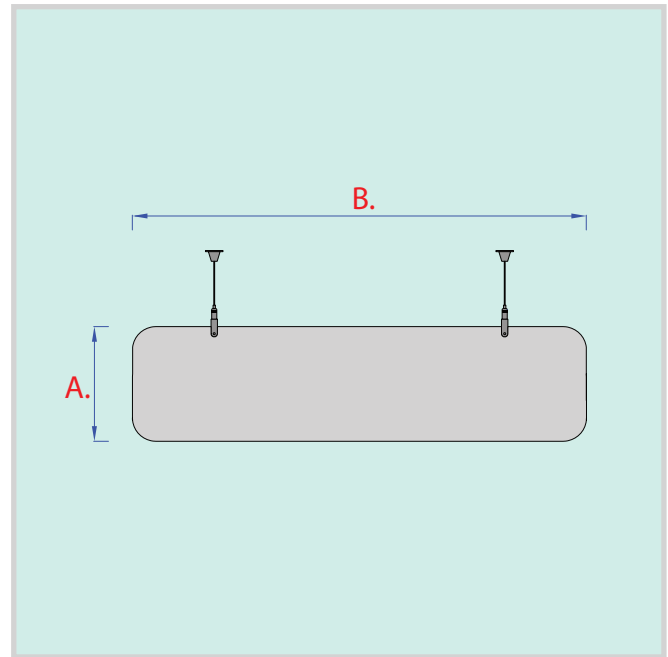
ISO 9001:2015 quality certification issued by TÜV Italia S.r.l.

MPS reserves the right to modify products without previous advice.



# PP2841KS

## SUSPENDED FLAT PLATES



### DESCRIPTION

Environmental signposting with flat plate made of Plexiglass with rounded corners  
Ceiling fixing system with steel cables and ceiling hook with hidden screw and cable clamps  
Direct print or print on adhesive

### ADDITIONAL ACCESSORIES (FOR MULTIPLE PLATE)

Junction kit KGPS and sheet PP1297

### SIZE

A. 148 x B. 841 mm.

### COLOR

Glossy transparent with chrome spacers - Other colors and size on demand.

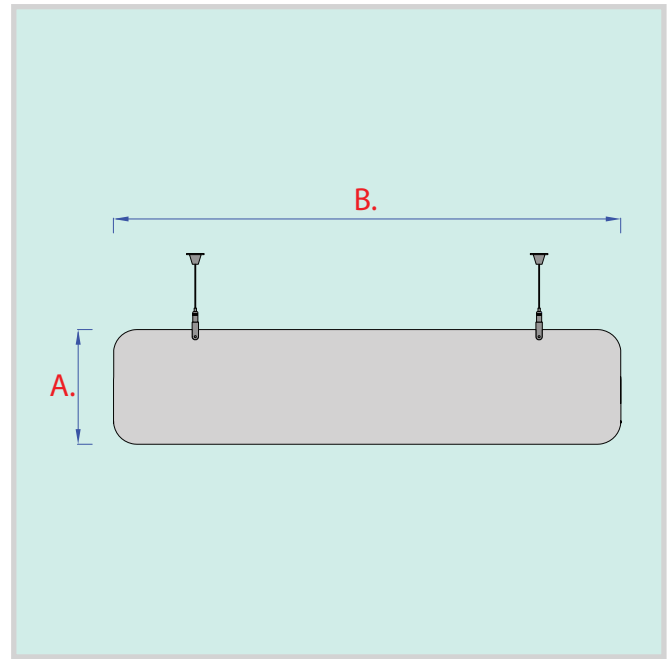
### CERTIFICATIONS

ISO 9001:2015 quality certification issued by TÜV Italia S.r.l.

MPS reserves the right to modify products without previous advice.

# PP21000KS

## SUSPENDED FLAT PLATES



### DESCRIPTION

Environmental signposting with flat plate made of Plexiglass with rounded corners  
Ceiling fixing system with steel cables and ceiling hook with hidden screw and cable clamps  
Direct print or print on adhesive

### ADDITIONAL ACCESSORIES (FOR MULTIPLE PLATE)

Junction kit KGPS and sheet PP1297

### SIZE

A. 148 x B. 1000 mm.

### COLOR

Glossy transparent with chrome spacers - Other colors and size on demand.

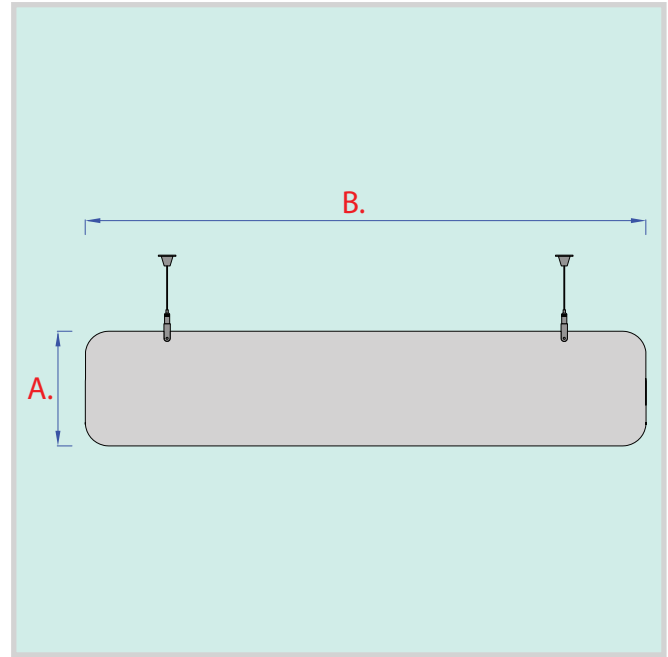
### CERTIFICATIONS

ISO 9001:2015 quality certification issued by TÜV Italia S.r.l.

MPS reserves the right to modify products without previous advice.

# PP21189KS

## SUSPENDED FLAT PLATES



### DESCRIPTION

Environmental signposting with flat plate made of Plexiglass with rounded corners  
Ceiling fixing system with steel cables and ceiling hook with hidden screw and cable clamps  
Direct print or print on adhesive

### ADDITIONAL ACCESSORIES (FOR MULTIPLE PLATE)

Junction kit KGPS and sheet PP1297

### SIZE

A. 148 x B. 1189 mm.

### COLOR

Glossy transparent with chrome spacers - Other colors and size on demand.

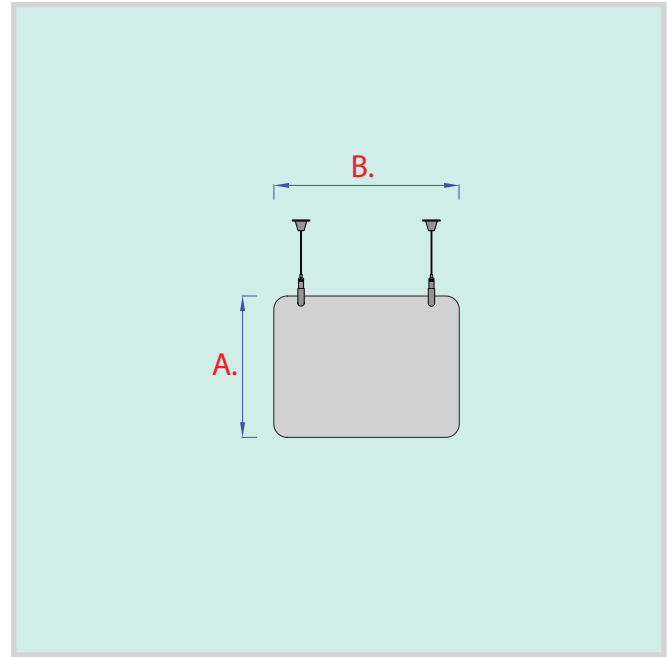
### CERTIFICATIONS

ISO 9001:2015 quality certification issued by TÜV Italia S.r.l.

MPS reserves the right to modify products without previous advice.

# PP3210KS

## SUSPENDED FLAT PLATES



### DESCRIPTION

Environmental signposting with flat plate made of Plexiglass with rounded corners  
Ceiling fixing system with steel cables and ceiling hook with hidden screw  
and cable clamps  
Direct print or print on adhesive

### ADDITIONAL ACCESSORIES (FOR MULTIPLE PLATE)

Junction kit KGPS and sheet PP1297

### SIZE

A. 210 x B. 210 mm.

### COLOR

Glossy transparent with chrome spacers - Other colors and size on demand.

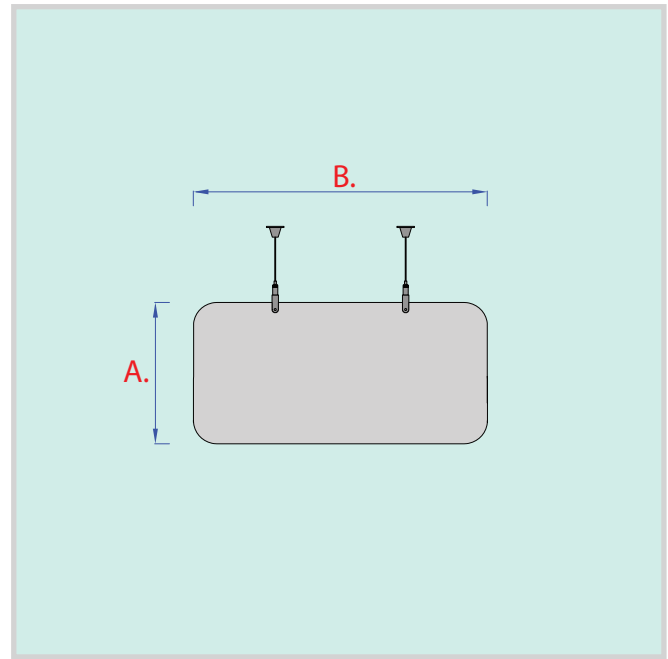
### CERTIFICATIONS

ISO 9001:2015 quality certification issued by TÜV Italia S.r.l.

MPS reserves the right to modify products without previous advice.

# PP3297KS

## SUSPENDED FLAT PLATES



### DESCRIPTION

Environmental signposting with flat plate made of Plexiglass with rounded corners  
Ceiling fixing system with steel cables and ceiling hook with hidden screw and cable clamps  
Direct print or print on adhesive

### ADDITIONAL ACCESSORIES (FOR MULTIPLE PLATE)

Junction kit KGPS and sheet PP1297

### SIZE

A. 210 x B. 297 mm.

### COLOR

Glossy transparent with chrome spacers - Other colors and size on demand.

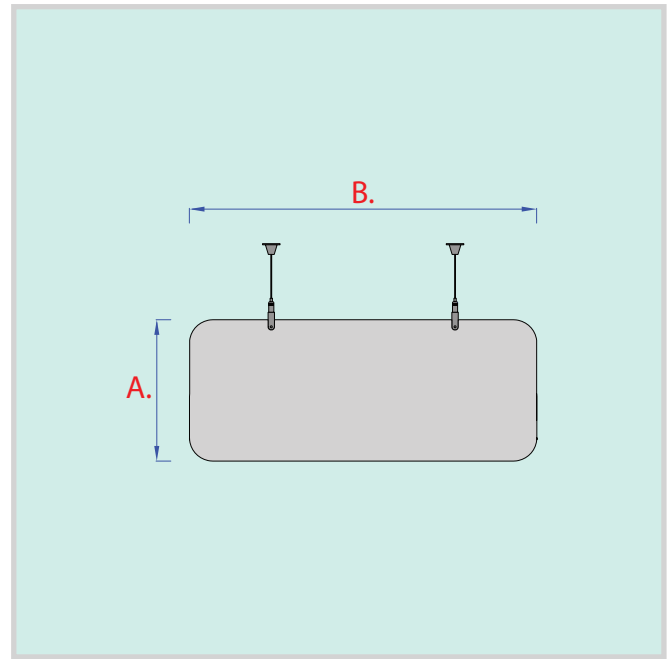
### CERTIFICATIONS

ISO 9001:2015 quality certification issued by TÜV Italia S.r.l.

MPS reserves the right to modify products without previous advice.

# PP3420KS

## SUSPENDED FLAT PLATES



### DESCRIPTION

Environmental signposting with flat plate made of Plexiglass with rounded corners  
Ceiling fixing system with steel cables and ceiling hook with hidden screw and cable clamps  
Direct print or print on adhesive

### ADDITIONAL ACCESSORIES (FOR MULTIPLE PLATE)

Junction kit KGPS and sheet PP1297

### SIZE

A. 210 x B. 420 mm.

### COLOR

Glossy transparent with chrome spacers - Other colors and size on demand.

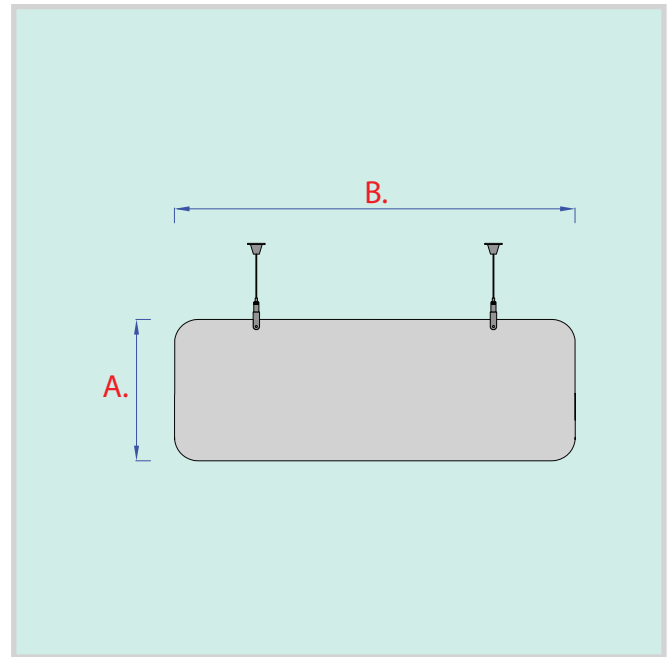
### CERTIFICATIONS

ISO 9001:2015 quality certification issued by TÜV Italia S.r.l.

MPS reserves the right to modify products without previous advice.

# PP3594KS

## SUSPENDED FLAT PLATES



### DESCRIPTION

Environmental signposting with flat plate made of Plexiglass with rounded corners  
Ceiling fixing system with steel cables and ceiling hook with hidden screw  
and cable clamps  
Direct print or print on adhesive

### ADDITIONAL ACCESSORIES (FOR MULTIPLE PLATE)

Junction kit KGPS and sheet PP1297

### SIZE

A. 210 x B. 594 mm.

### COLOR

Glossy transparent with chrome spacers - Other colors and size on demand.

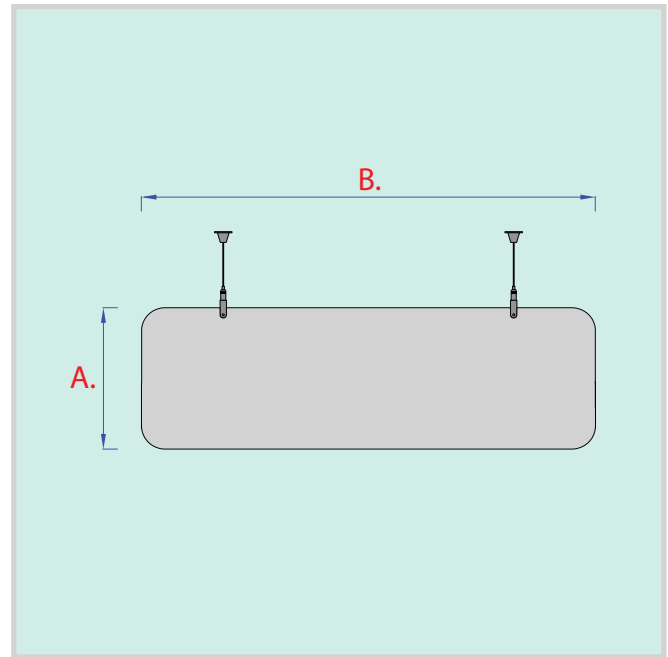
### CERTIFICATIONS

ISO 9001:2015 quality certification issued by TÜV Italia S.r.l.

MPS reserves the right to modify products without previous advice.

# PP3841KS

## SUSPENDED FLAT PLATES



### DESCRIPTION

Environmental signposting with flat plate made of Plexiglass with rounded corners  
Ceiling fixing system with steel cables and ceiling hook with hidden screw and cable clamps  
Direct print or print on adhesive

### ADDITIONAL ACCESSORIES (FOR MULTIPLE PLATE)

Junction kit KGPS and sheet PP1297

### SIZE

A. 210 x B. 841 mm.

### COLOR

Glossy transparent with chrome spacers - Other colors and size on demand.

### CERTIFICATIONS

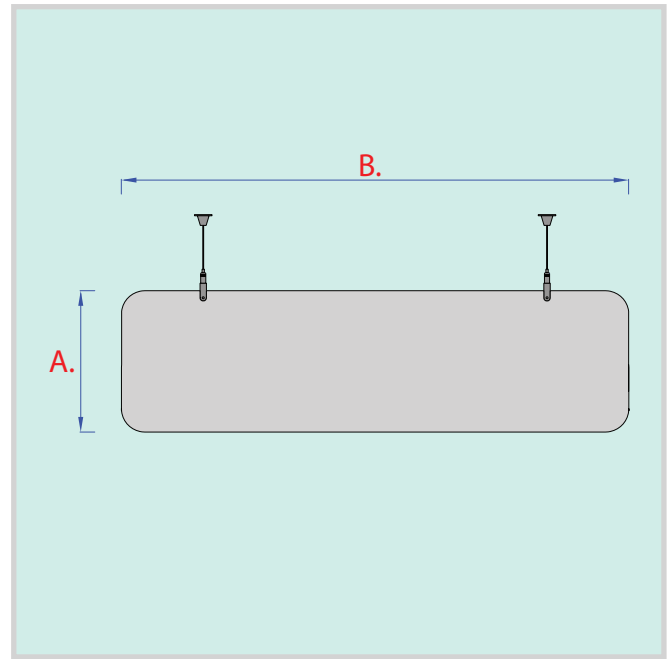
ISO 9001:2015 quality certification issued by TÜV Italia S.r.l.

MPS reserves the right to modify products without previous advice.



# PP31000KS

## SUSPENDED FLAT PLATES



### DESCRIPTION

Environmental signposting with flat plate made of Plexiglass with rounded corners  
Ceiling fixing system with steel cables and ceiling hook with hidden screw and cable clamps  
Direct print or print on adhesive

### ADDITIONAL ACCESSORIES (FOR MULTIPLE PLATE)

Junction kit KGPS and sheet PP1297

### SIZE

A. 210 x B. 1000 mm.

### COLOR

Glossy transparent with chrome spacers - Other colors and size on demand.

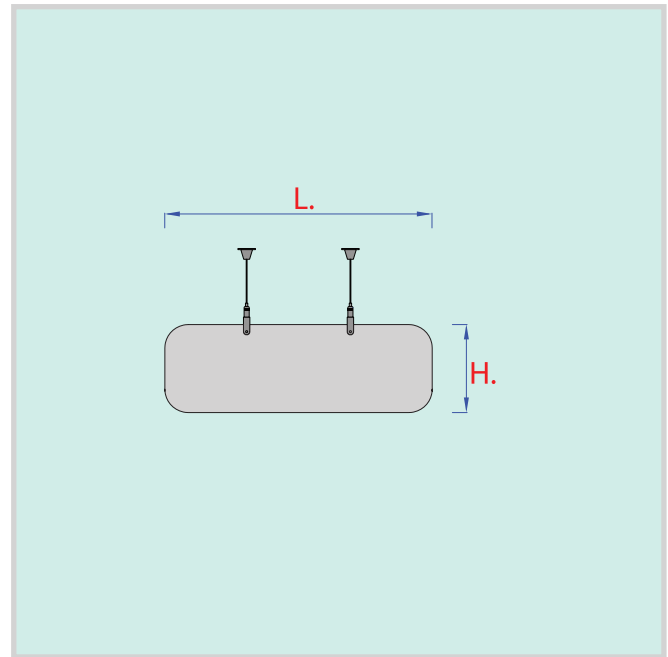
### CERTIFICATIONS

ISO 9001:2015 quality certification issued by TÜV Italia S.r.l.

MPS reserves the right to modify products without previous advice.

# PP31189KS

## SUSPENDED FLAT PLATES



### DESCRIPTION

Environmental signposting with flat plate made of Plexiglass with rounded corners  
Ceiling fixing system with steel cables and ceiling hook with hidden screw  
and cable clamps  
Direct print or print on adhesive

### ADDITIONAL ACCESSORIES (FOR MULTIPLE PLATE)

Junction kit KGPS and sheet PP1297

### SIZE

H. 210 x L. 1189 mm.

### COLOR

Glossy transparent with chrome spacers - Other colors and size on demand.

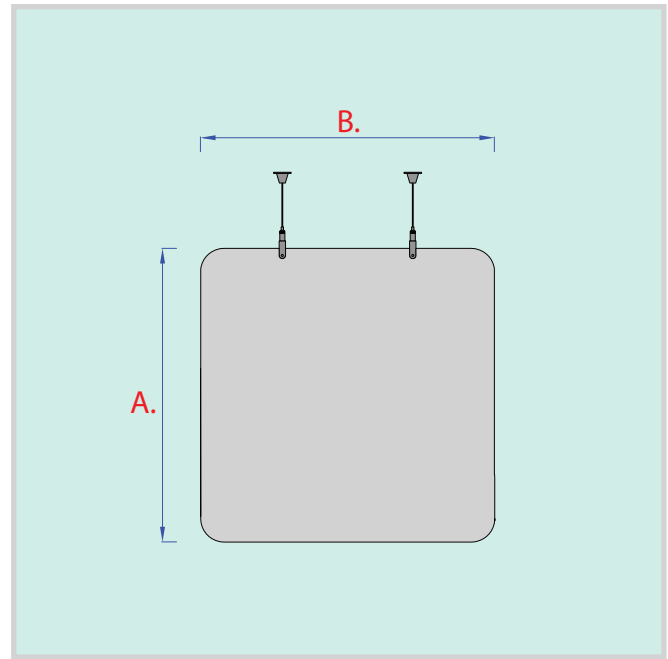
### CERTIFICATIONS

ISO 9001:2015 quality certification issued by TÜV Italia S.r.l.

MPS reserves the right to modify products without previous advice.

# PP4297KS

## SUSPENDED FLAT PLATES



### DESCRIPTION

Environmental signposting with flat plate made of Plexiglass with rounded corners  
Ceiling fixing system with steel cables and ceiling hook with hidden screw and cable clamps  
Direct print or print on adhesive

### ADDITIONAL ACCESSORIES (FOR MULTIPLE PLATE)

Junction kit KGPS and sheet PP1297

### SIZE

A. 297 x B. 297 mm.

### COLOR

Glossy transparent with chrome spacers - Other colors and size on demand.

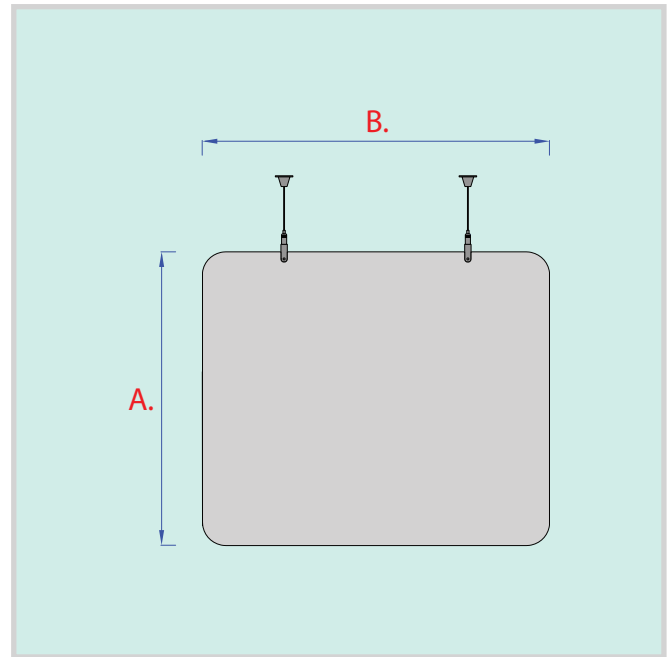
### CERTIFICATIONS

ISO 9001:2015 quality certification issued by TÜV Italia S.r.l.

MPS reserves the right to modify products without previous advice.

# PP4420KS

## SUSPENDED FLAT PLATES



### DESCRIPTION

Environmental signposting with flat plate made of Plexiglass with rounded corners  
Ceiling fixing system with steel cables and ceiling hook with hidden screw and cable clamps  
Direct print or print on adhesive

### ADDITIONAL ACCESSORIES (FOR MULTIPLE PLATE)

Junction kit KGPS and sheet PP1297

### SIZE

A. 297 x B. 420 mm.

### COLOR

Glossy transparent with chrome spacers - Other colors and size on demand.

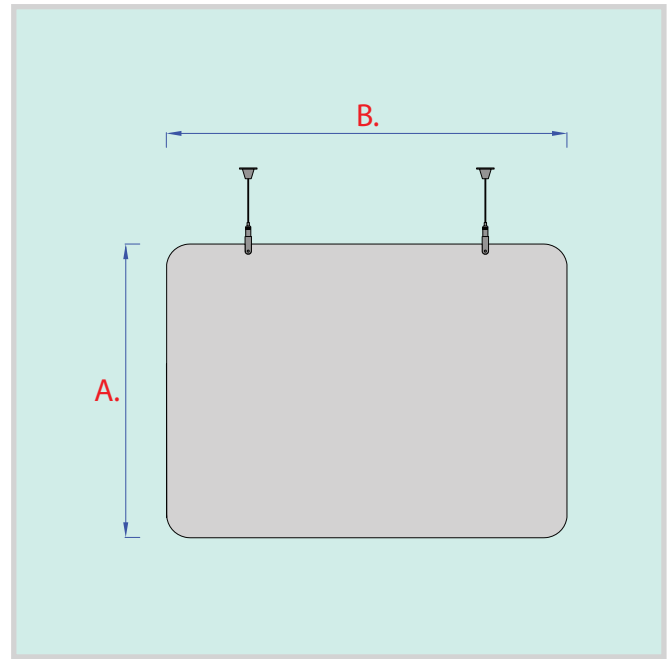
### CERTIFICATIONS

ISO 9001:2015 quality certification issued by TÜV Italia S.r.l.

MPS reserves the right to modify products without previous advice.

# PP4594KS

## SUSPENDED FLAT PLATES



### DESCRIPTION

Environmental signposting with flat plate made of Plexiglass with rounded corners  
Ceiling fixing system with steel cables and ceiling hook with hidden screw and cable clamps  
Direct print or print on adhesive

### ADDITIONAL ACCESSORIES (FOR MULTIPLE PLATE)

Junction kit KGPS and sheet PP1297

### SIZE

A. 297 x B. 594 mm.

### COLOR

Glossy transparent with chrome spacers - Other colors and size on demand.

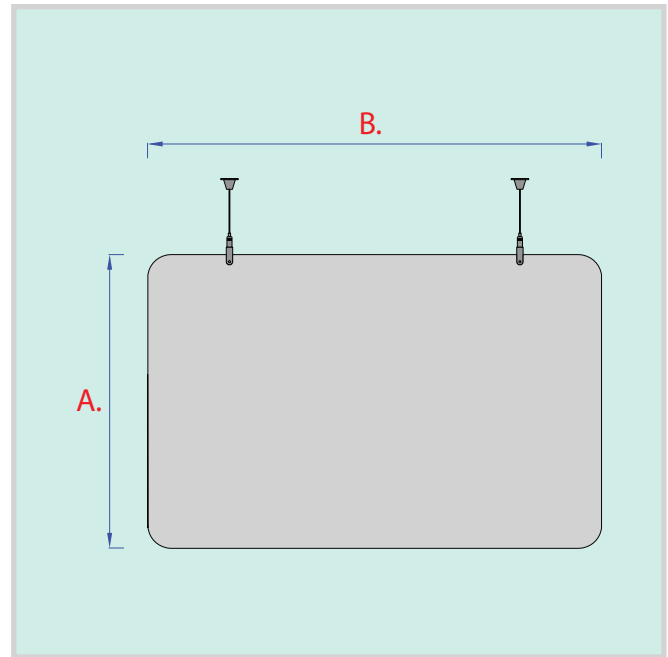
### CERTIFICATIONS

ISO 9001:2015 quality certification issued by TÜV Italia S.r.l.

MPS reserves the right to modify products without previous advice.

# PP4841KS

## SUSPENDED FLAT PLATES



### DESCRIPTION

Environmental signposting with flat plate made of Plexiglass with rounded corners  
Ceiling fixing system with steel cables and ceiling hook with hidden screw and cable clamps  
Direct print or print on adhesive

### ADDITIONAL ACCESSORIES (FOR MULTIPLE PLATE)

Junction kit KGPS and sheet PP1297

### SIZE

A. 297 x B. 841 mm.

### COLOR

Glossy transparent with chrome spacers - Other colors and size on demand.

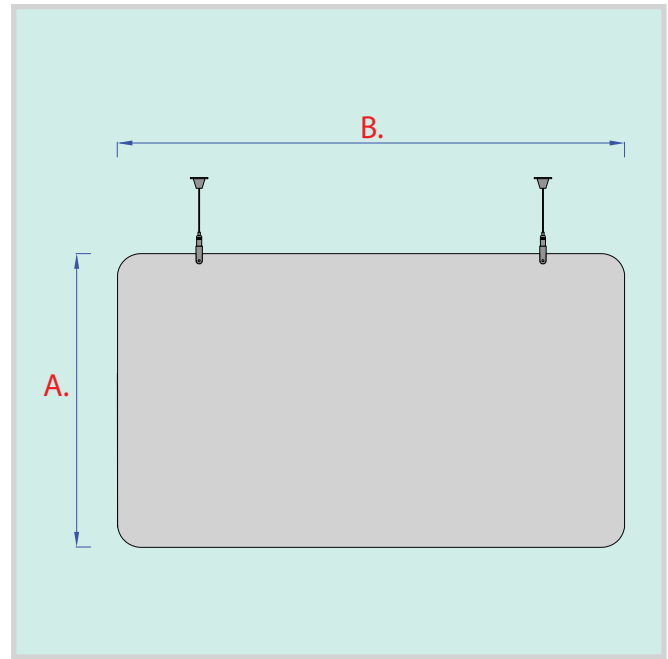
### CERTIFICATIONS

ISO 9001:2015 quality certification issued by TÜV Italia S.r.l.

MPS reserves the right to modify products without previous advice.

# PP41000KS

## SUSPENDED FLAT PLATES



### DESCRIPTION

Environmental signposting with flat plate made of Plexiglass with rounded corners  
Ceiling fixing system with steel cables and ceiling hook with hidden screw and cable clamps  
Direct print or print on adhesive

### ADDITIONAL ACCESSORIES (FOR MULTIPLE PLATE)

Junction kit KGPS and sheet PP1297

### SIZE

A. 297 x B. 1000 mm.

### COLOR

Glossy transparent with chrome spacers - Other colors and size on demand.

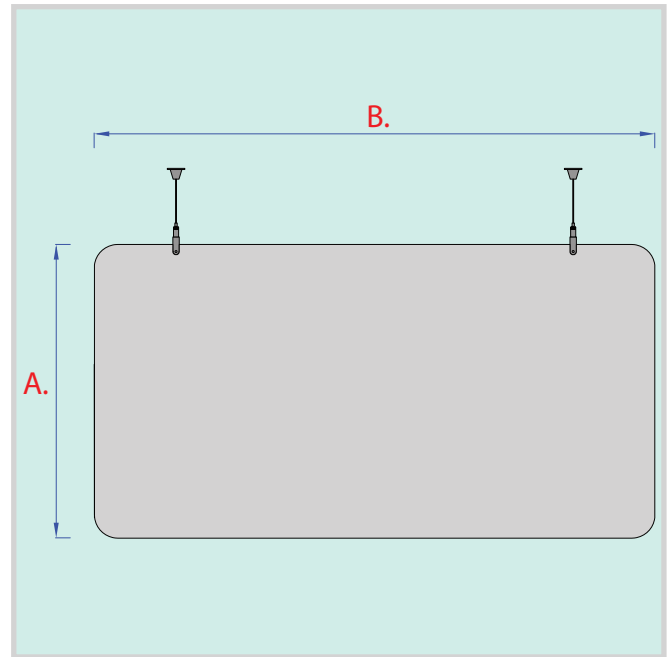
### CERTIFICATIONS

ISO 9001:2015 quality certification issued by TÜV Italia S.r.l.

MPS reserves the right to modify products without previous advice.

# PP41189KS

## SUSPENDED FLAT PLATES



### DESCRIPTION

Environmental signposting with flat plate made of Plexiglass with rounded corners  
Ceiling fixing system with steel cables and ceiling hook with hidden screw and cable clamps  
Direct print or print on adhesive

### ADDITIONAL ACCESSORIES (FOR MULTIPLE PLATE)

Junction kit KGPS and sheet PP1297

### SIZE

A. 297 x B. 1189 mm.

### COLOR

Glossy transparent with chrome spacers - Other colors and size on demand.

### CERTIFICATIONS

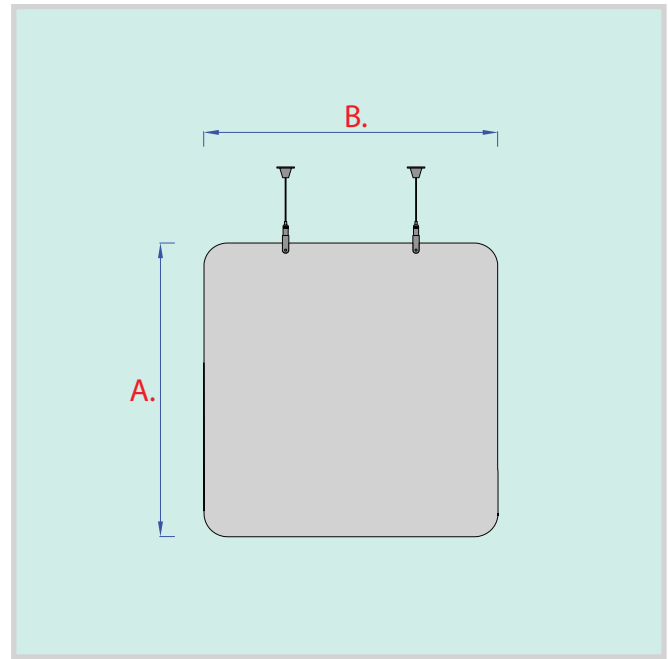
ISO 9001:2015 quality certification issued by TÜV Italia S.r.l.

MPS reserves the right to modify products without previous advice.



# PP5420KS

## SUSPENDED FLAT PLATES



### DESCRIPTION

Environmental signposting with flat plate made of Plexiglass with rounded corners  
Ceiling fixing system with steel cables and ceiling hook with hidden screw and cable clamps  
Direct print or print on adhesive

### ADDITIONAL ACCESSORIES (FOR MULTIPLE PLATE)

Junction kit KGPS and sheet PP1297

### SIZE

A. 420 x B. 420 mm.

### COLOR

Glossy transparent with chrome spacers - Other colors and size on demand.

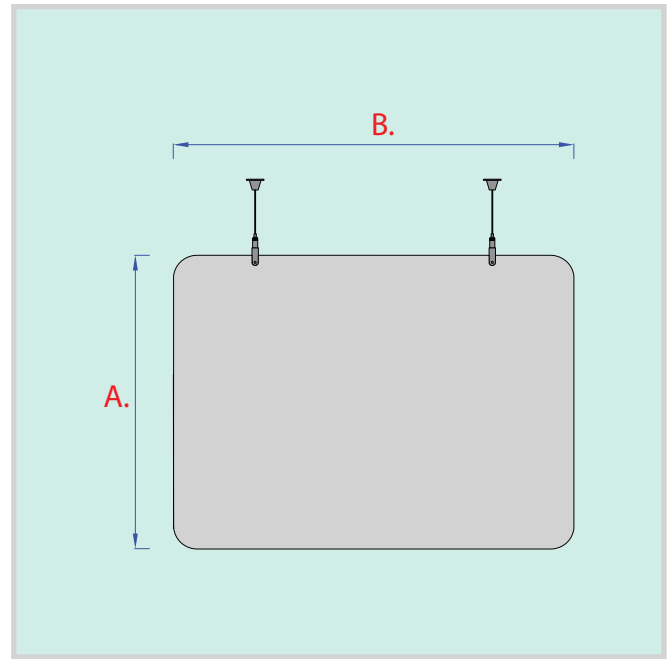
### CERTIFICATIONS

ISO 9001:2015 quality certification issued by TÜV Italia S.r.l.

MPS reserves the right to modify products without previous advice.

# PP5594KS

## SUSPENDED FLAT PLATES



### DESCRIPTION

Environmental signposting with flat plate made of Plexiglass with rounded corners  
Ceiling fixing system with steel cables and ceiling hook with hidden screw and cable clamps  
Direct print or print on adhesive

### ADDITIONAL ACCESSORIES (FOR MULTIPLE PLATE)

Junction kit KGPS and sheet PP1297

### SIZE

A. 420 x B. 594 mm.

### COLOR

Glossy transparent with chrome spacers - Other colors and size on demand.

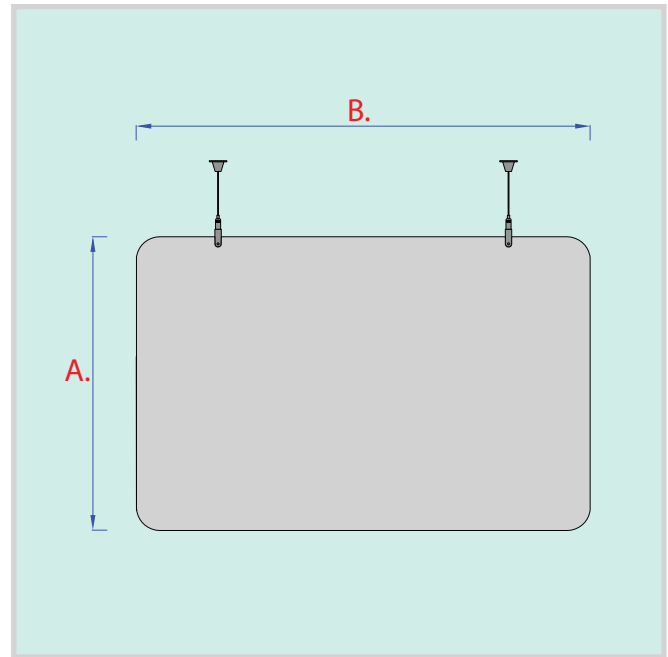
### CERTIFICATIONS

ISO 9001:2015 quality certification issued by TÜV Italia S.r.l.

MPS reserves the right to modify products without previous advice.

# PP5841KS

## SUSPENDED FLAT PLATES



### DESCRIPTION

Environmental signposting with flat plate made of Plexiglass with rounded corners  
Ceiling fixing system with steel cables and ceiling hook with hidden screw and cable clamps  
Direct print or print on adhesive

### ADDITIONAL ACCESSORIES (FOR MULTIPLE PLATE)

Junction kit KGPS and sheet PP1297

### SIZE

A. 420 x B. 841 mm.

### COLOR

Glossy transparent with chrome spacers - Other colors and size on demand.

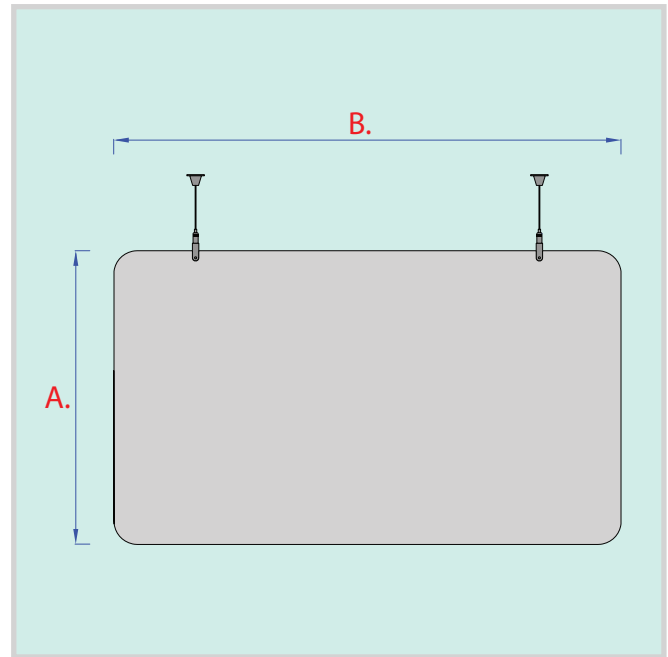
### CERTIFICATIONS

ISO 9001:2015 quality certification issued by TÜV Italia S.r.l.

MPS reserves the right to modify products without previous advice.

# PP51000KS

## SUSPENDED FLAT PLATES



### DESCRIPTION

Environmental signposting with flat plate made of Plexiglass with rounded corners  
Ceiling fixing system with steel cables and ceiling hook with hidden screw and cable clamps  
Direct print or print on adhesive

### ADDITIONAL ACCESSORIES (FOR MULTIPLE PLATE)

Junction kit KGPS and sheet PP1297

### SIZE

A. 420 x B. 1000 mm.

### COLOR

Glossy transparent with chrome spacers - Other colors and size on demand.

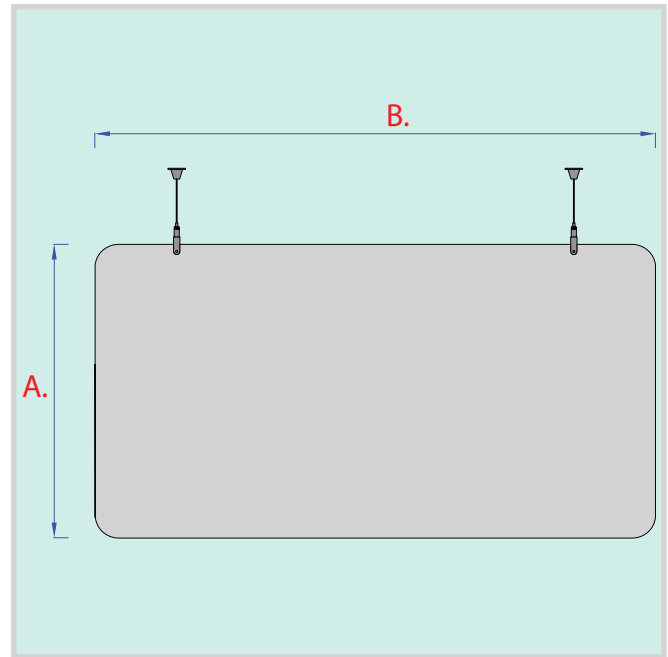
### CERTIFICATIONS

ISO 9001:2015 quality certification issued by TÜV Italia S.r.l.

MPS reserves the right to modify products without previous advice.

# PP51189KS

## SUSPENDED FLAT PLATES



### DESCRIPTION

Environmental signposting with flat plate made of Plexiglass with rounded corners  
Ceiling fixing system with steel cables and ceiling hook with hidden screw and cable clamps  
Direct print or print on adhesive

### ADDITIONAL ACCESSORIES (FOR MULTIPLE PLATE)

Junction kit KGPS and sheet PP1297

### SIZE

A. 420 x B. 1189 mm.

### COLOR

Glossy transparent with chrome spacers - Other colors and size on demand.

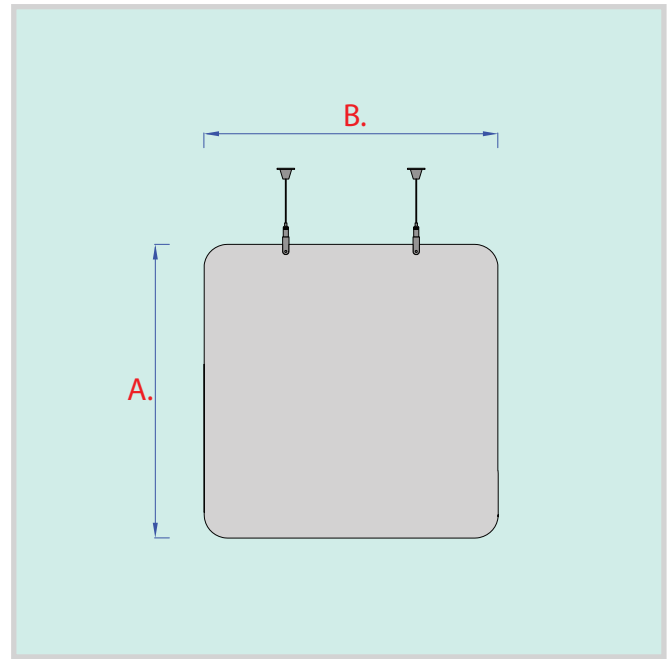
### CERTIFICATIONS

ISO 9001:2015 quality certification issued by TÜV Italia S.r.l.

MPS reserves the right to modify products without previous advice.

# PP6594KS

## SUSPENDED FLAT PLATES



### DESCRIPTION

Environmental signposting with flat plate made of Plexiglass with rounded corners  
Ceiling fixing system with steel cables and ceiling hook with hidden screw and cable clamps  
Direct print or print on adhesive

### ADDITIONAL ACCESSORIES (FOR MULTIPLE PLATE)

Junction kit KGPS and sheet PP1297

### SIZE

A. 594 x B. 594 mm.

### COLOR

Glossy transparent with chrome spacers - Other colors and size on demand.

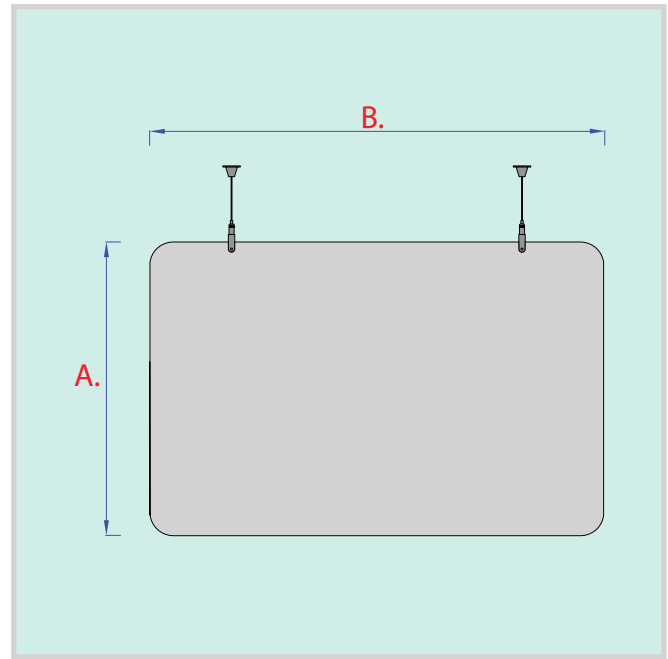
### CERTIFICATIONS

ISO 9001:2015 quality certification issued by TÜV Italia S.r.l.

MPS reserves the right to modify products without previous advice.

# PP6841KS

## SUSPENDED FLAT PLATES



### DESCRIPTION

Environmental signposting with flat plate made of Plexiglass with rounded corners  
Ceiling fixing system with steel cables and ceiling hook with hidden screw and cable clamps  
Direct print or print on adhesive

### ADDITIONAL ACCESSORIES (FOR MULTIPLE PLATE)

Junction kit KGPS and sheet PP1297

### SIZE

A. 594 x B. 841 mm.

### COLOR

Glossy transparent with chrome spacers - Other colors and size on demand.

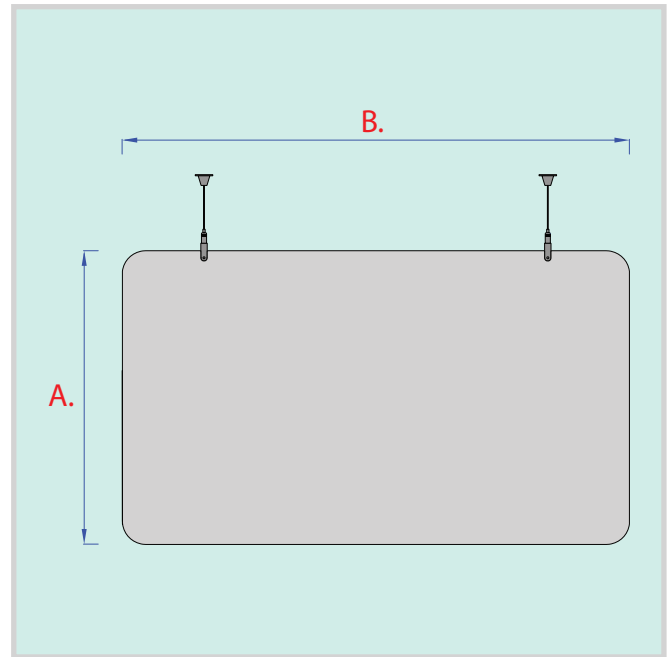
### CERTIFICATIONS

ISO 9001:2015 quality certification issued by TÜV Italia S.r.l.

MPS reserves the right to modify products without previous advice.

# PP61000KS

## SUSPENDED FLAT PLATES



### DESCRIPTION

Environmental signposting with flat plate made of Plexiglass with rounded corners  
Ceiling fixing system with steel cables and ceiling hook with hidden screw and cable clamps  
Direct print or print on adhesive

### ADDITIONAL ACCESSORIES (FOR MULTIPLE PLATE)

Junction kit KGPS and sheet PP1297

### SIZE

A. 594 x B. 1000 mm.

### COLOR

Glossy transparent with chrome spacers - Other colors and size on demand.

### CERTIFICATIONS

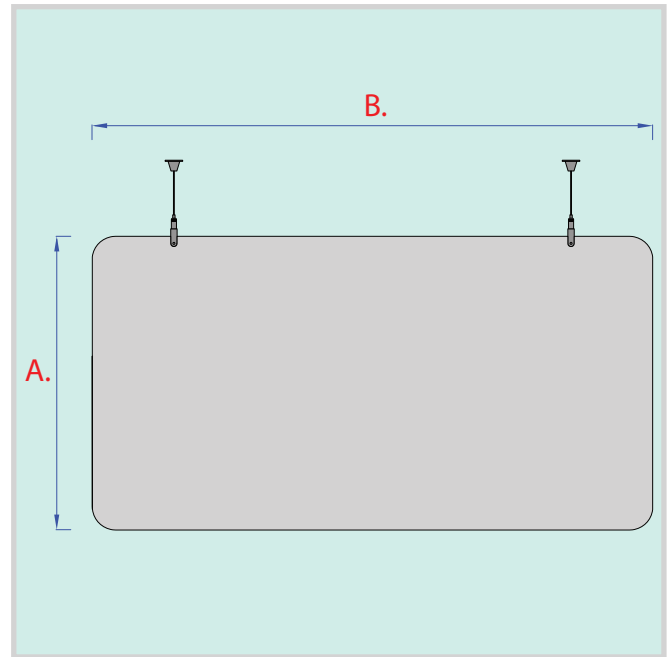
ISO 9001:2015 quality certification issued by TÜV Italia S.r.l.

MPS reserves the right to modify products without previous advice.



# PP61189KS

## SUSPENDED FLAT PLATES



### DESCRIPTION

Environmental signposting with flat plate made of Plexiglass with rounded corners  
Ceiling fixing system with steel cables and ceiling hook with hidden screw  
and cable clamps  
Direct print or print on adhesive

### ADDITIONAL ACCESSORIES (FOR MULTIPLE PLATE)

Junction kit KGPS and sheet PP1297

### SIZE

A. 594 x B. 1189 mm.

### COLOR

Glossy transparent with chrome spacers - Other colors and size on demand.

### CERTIFICATIONS

ISO 9001:2015 quality certification issued by TÜV Italia S.r.l.

MPS reserves the right to modify products without previous advice.