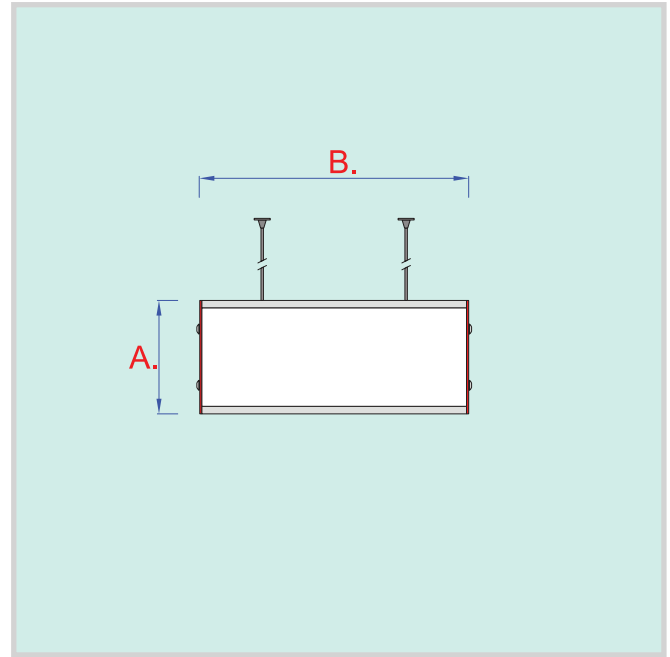


# CS1297

## SUSPENDED DOUBLE-SIDED PLATES



### DESCRIPTION

Environmental suspended convex double-sided plates.  
 Aluminum profiles and end-caps made of dioxide Titanium Polymers.  
 Suspension kit with steel cables.  
 Interchangeable graphics, with the possibility to manage the insertion of new information.  
 Printing on paper with protection in anti-reflective polymers.  
 Direct printing on support in Titanium Dioxide polymers in the colors listed below.  
 Print on adhesive.  
 Outdoor version totally in aluminum.

### SIZE

B. 297 x A. 105 mm.

### COLOR

S0 White - S1 Ivory- S2 Pastel blue - S3 Pastel green - S4 Light grey - S6 Yellow  
 S7 Blue- S8 Moos green - S9 Silver grey - S10 Brown - S12 Red - S14 Salmon

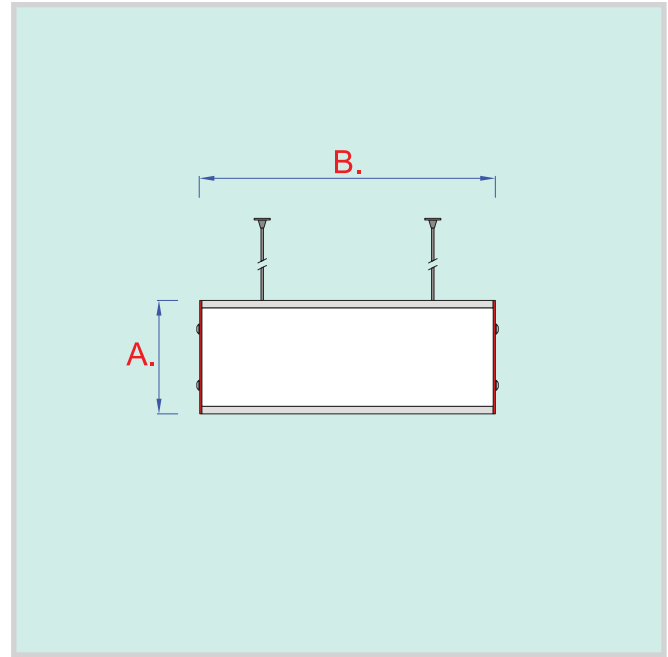
### CERTIFICATIONS

ISO 9001:2015 quality certification issued by TÜV Italia S.r.l.  
 Fire certification CE B-s2,d0.  
 Absence of bacterial growth certification issued by CSI group IMQ.  
 Declaration of quality office about absence of Cadmium and/or heavy metals.  
 Declaration of quality office about bio-compatibility and recycling

MPS reserves the right to modify products without previous advice.

# CS1420

## SUSPENDED DOUBLE-SIDED PLATES



### DESCRIPTION

Environmental suspended convex double-sided plates.  
 Aluminum profiles and end-caps made of dioxide Titanium Polymers.  
 Suspension kit with steel cables.  
 Interchangeable graphics, with the possibility to manage the insertion of new information.  
 Printing on paper with protection in anti-reflective polymers.  
 Direct printing on support in Titanium Dioxide polymers in the colors listed below.  
 Print on adhesive.  
 Outdoor version totally in aluminum.

### SIZE

B. 420 x A. 105 mm.

### COLOR

S0 White - S1 Ivory- S2 Pastel blue - S3 Pastel green - S4 Light grey - S6 Yellow  
 S7 Blue- S8 Moos green - S9 Silver grey - S10 Brown - S12 Red - S14 Salmon

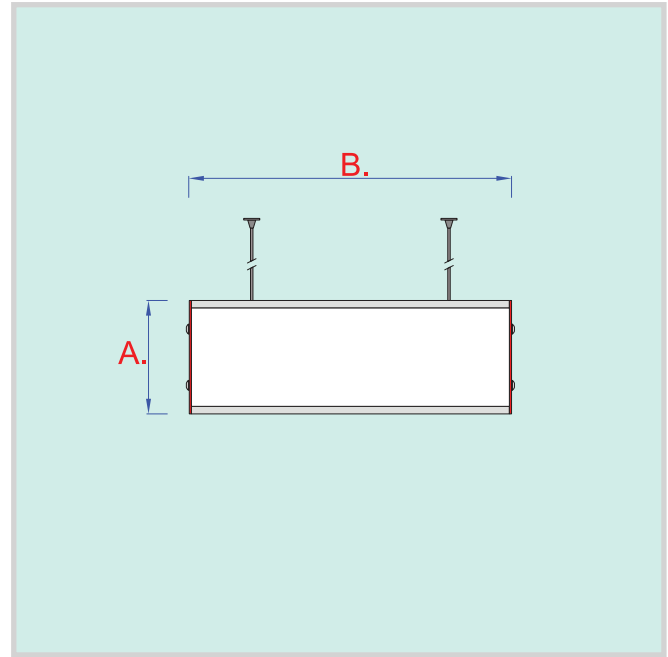
### CERTIFICATIONS

ISO 9001:2015 quality certification issued by TÜV Italia S.r.l.  
 Fire certification CE B-s2,d0.  
 Absence of bacterial growth certification issued by CSI group IMQ.  
 Declaration of quality office about absence of Cadmium and/or heavy metals.  
 Declaration of quality office about bio-compatibility and recycling

MPS reserves the right to modify products without previous advice.

# CS1594

## SUSPENDED DOUBLE-SIDED PLATES



### DESCRIPTION

Environmental suspended convex double-sided plates.  
 Aluminum profiles and end-caps made of dioxide Titanium Polymers.  
 Suspension kit with steel cables.  
 Interchangeable graphics, with the possibility to manage the insertion of new information.  
 Printing on paper with protection in anti-reflective polymers.  
 Direct printing on support in Titanium Dioxide polymers in the colors listed below.  
 Print on adhesive.  
 Outdoor version totally in aluminum.

### SIZE

B. 594 x A. 105 mm.

### COLOR

S0 White - S1 Ivory- S2 Pastel blue - S3 Pastel green - S4 Light grey - S6 Yellow  
 S7 Blue- S8 Moos green - S9 Silver grey - S10 Brown - S12 Red - S14 Salmon

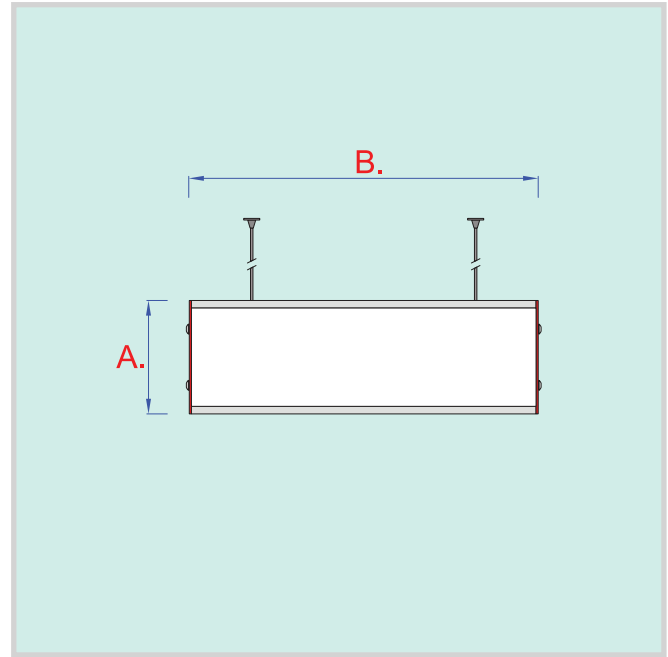
### CERTIFICATIONS

ISO 9001:2015 quality certification issued by TÜV Italia S.r.l.  
 Fire certification CE B-s2,d0.  
 Absence of bacterial growth certification issued by CSI group IMQ.  
 Declaration of quality office about absence of Cadmium and/or heavy metals.  
 Declaration of quality office about bio-compatibility and recycling

MPS reserves the right to modify products without previous advice.

# CS1841

## SUSPENDED DOUBLE-SIDED PLATES



### DESCRIPTION

Environmental suspended convex double-sided plates.  
 Aluminum profiles and end-caps made of dioxide Titanium Polymers.  
 Suspension kit with steel cables.  
 Interchangeable graphics, with the possibility to manage the insertion of new information.  
 Printing on paper with protection in anti-reflective polymers.  
 Direct printing on support in Titanium Dioxide polymers in the colors listed below.  
 Print on adhesive.  
 Outdoor version totally in aluminum.

### SIZE

B. 841 x A. 105 mm.

### COLOR

S0 White - S1 Ivory- S2 Pastel blue - S3 Pastel green - S4 Light grey - S6 Yellow  
 S7 Blue- S8 Moos green - S9 Silver grey - S10 Brown - S12 Red - S14 Salmon

### CERTIFICATIONS

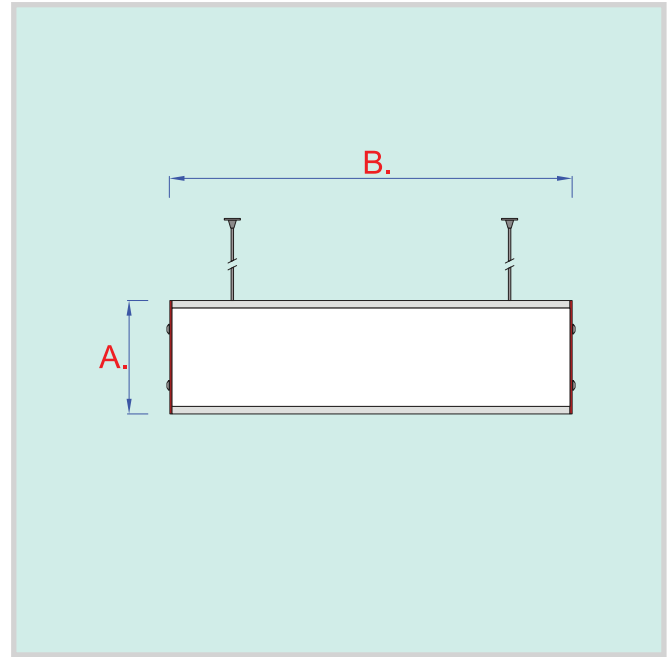
ISO 9001:2015 quality certification issued by TÜV Italia S.r.l.  
 Fire certification CE B-s2,d0.  
 Absence of bacterial growth certification issued by CSI group IMQ.  
 Declaration of quality office about absence of Cadmium and/or heavy metals.  
 Declaration of quality office about bio-compatibility and recycling

MPS reserves the right to modify products without previous advice.



# CS11000

## SUSPENDED DOUBLE-SIDED PLATES



### DESCRIPTION

Environmental suspended convex double-sided plates.  
 Aluminum profiles and end-caps made of dioxide Titanium Polymers.  
 Suspension kit with steel cables.  
 Interchangeable graphics, with the possibility to manage the insertion of new information.  
 Printing on paper with protection in anti-reflective polymers.  
 Direct printing on support in Titanium Dioxide polymers in the colors listed below.  
 Print on adhesive.  
 Outdoor version totally in aluminum.

### SIZE

B. 1000 x A. 105 mm.

### COLOR

S0 White - S1 Ivory- S2 Pastel blue - S3 Pastel green - S4 Light grey - S6 Yellow  
 S7 Blue- S8 Moos green - S9 Silver grey - S10 Brown - S12 Red - S14 Salmon

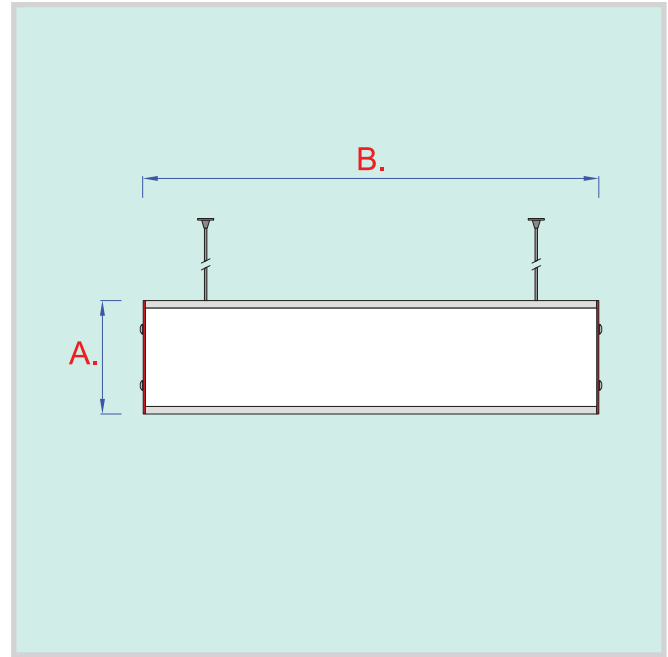
### CERTIFICATIONS

ISO 9001:2015 quality certification issued by TÜV Italia S.r.l.  
 Fire certification CE B-s2,d0.  
 Absence of bacterial growth certification issued by CSI group IMQ.  
 Declaration of quality office about absence of Cadmium and/or heavy metals.  
 Declaration of quality office about bio-compatibility and recycling

MPS reserves the right to modify products without previous advice.

# CS11189

## SUSPENDED DOUBLE-SIDED PLATES



### DESCRIPTION

Environmental suspended convex double-sided plates.  
 Aluminum profiles and end-caps made of dioxide Titanium Polymers.  
 Suspension kit with steel cables.  
 Interchangeable graphics, with the possibility to manage the insertion of new information.  
 Printing on paper with protection in anti-reflective polymers.  
 Direct printing on support in Titanium Dioxide polymers in the colors listed below.  
 Print on adhesive.  
 Outdoor version totally in aluminum.

### SIZE

B. 1189 x A. 105 mm.

### COLOR

S0 White - S1 Ivory- S2 Pastel blue - S3 Pastel green - S4 Light grey - S6 Yellow  
 S7 Blue- S8 Moos green - S9 Silver grey - S10 Brown - S12 Red - S14 Salmon

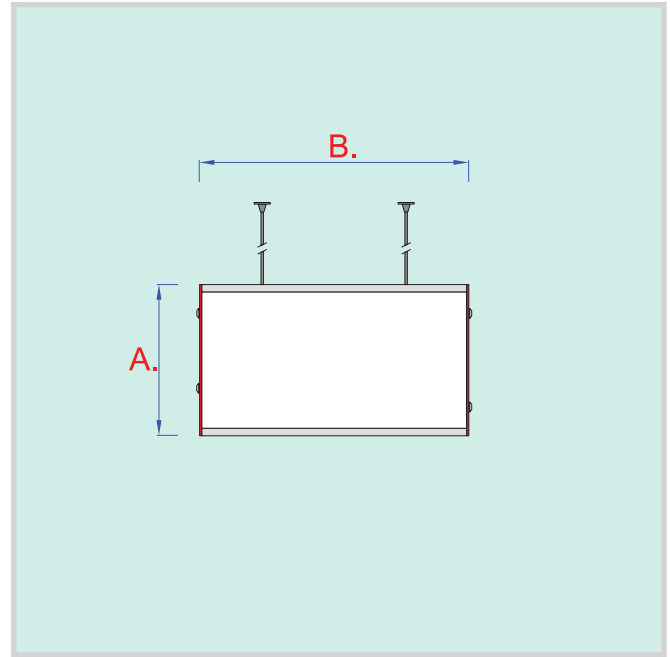
### CERTIFICATIONS

ISO 9001:2015 quality certification issued by TÜV Italia S.r.l.  
 Fire certification CE B-s2,d0.  
 Absence of bacterial growth certification issued by CSI group IMQ.  
 Declaration of quality office about absence of Cadmium and/or heavy metals.  
 Declaration of quality office about bio-compatibility and recycling

MPS reserves the right to modify products without previous advice.

# CS2297

## SUSPENDED DOUBLE-SIDED PLATES



### DESCRIPTION

Environmental suspended convex double-sided plates.  
 Aluminum profiles and end-caps made of dioxide Titanium Polymers.  
 Suspension kit with steel cables.  
 Interchangeable graphics, with the possibility to manage the insertion of new information.  
 Printing on paper with protection in anti-reflective polymers.  
 Direct printing on support in Titanium Dioxide polymers in the colors listed below.  
 Print on adhesive.  
 Outdoor version totally in aluminum.

### SIZE

B. 297 x A. 148 mm.

### COLOR

S0 White - S1 Ivory- S2 Pastel blue - S3 Pastel green - S4 Light grey - S6 Yellow  
 S7 Blue- S8 Moos green - S9 Silver grey - S10 Brown - S12 Red - S14 Salmon

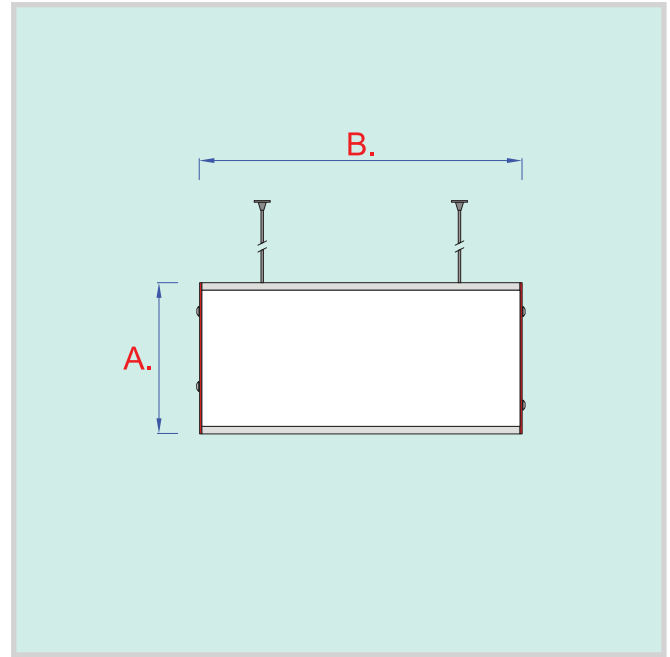
### CERTIFICATIONS

ISO 9001:2015 quality certification issued by TÜV Italia S.r.l.  
 Fire certification CE B-s2,d0.  
 Absence of bacterial growth certification issued by CSI group IMQ.  
 Declaration of quality office about absence of Cadmium and/or heavy metals.  
 Declaration of quality office about bio-compatibility and recycling

MPS reserves the right to modify products without previous advice.

# CS2420

## SUSPENDED DOUBLE-SIDED PLATES



### DESCRIPTION

Environmental suspended convex double-sided plates.  
 Aluminum profiles and end-caps made of dioxide Titanium Polymers.  
 Suspension kit with steel cables.  
 Interchangeable graphics, with the possibility to manage the insertion of new information.  
 Printing on paper with protection in anti-reflective polymers.  
 Direct printing on support in Titanium Dioxide polymers in the colors listed below.  
 Print on adhesive.  
 Outdoor version totally in aluminum.

### SIZE

B. 420 x A. 148 mm.

### COLOR

S0 White - S1 Ivory- S2 Pastel blue - S3 Pastel green - S4 Light grey - S6 Yellow  
 S7 Blue- S8 Moos green - S9 Silver grey - S10 Brown - S12 Red - S14 Salmon

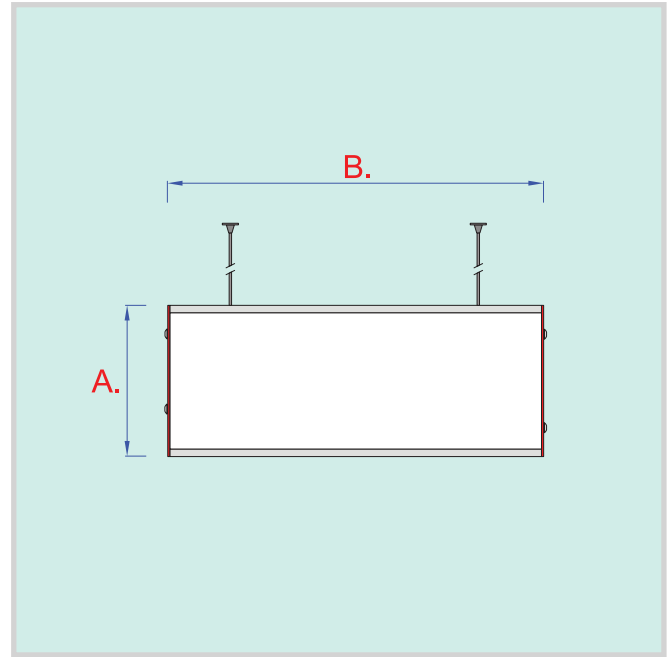
### CERTIFICATIONS

ISO 9001:2015 quality certification issued by TÜV Italia S.r.l.  
 Fire certification CE B-s2,d0.  
 Absence of bacterial growth certification issued by CSI group IMQ.  
 Declaration of quality office about absence of Cadmium and/or heavy metals.  
 Declaration of quality office about bio-compatibility and recycling

MPS reserves the right to modify products without previous advice.

# CS2594

## SUSPENDED DOUBLE-SIDED PLATES



### DESCRIPTION

Environmental suspended convex double-sided plates.  
 Aluminum profiles and end-caps made of dioxide Titanium Polymers.  
 Suspension kit with steel cables.  
 Interchangeable graphics, with the possibility to manage the insertion of new information.  
 Printing on paper with protection in anti-reflective polymers.  
 Direct printing on support in Titanium Dioxide polymers in the colors listed below.  
 Print on adhesive.  
 Outdoor version totally in aluminum.

### SIZE

B. 594x A. 148 mm.

### COLOR

S0 White - S1 Ivory- S2 Pastel blue - S3 Pastel green - S4 Light grey - S6 Yellow  
 S7 Blue- S8 Moos green - S9 Silver grey - S10 Brown - S12 Red - S14 Salmon

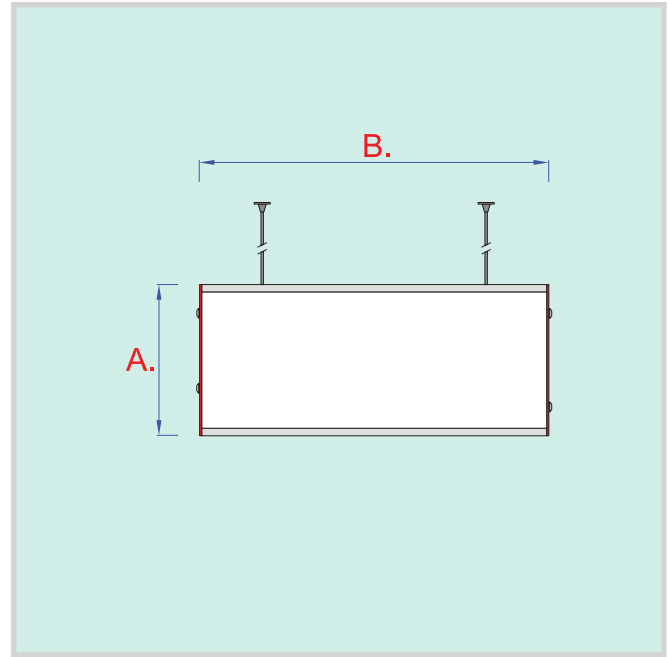
### CERTIFICATIONS

ISO 9001:2015 quality certification issued by TÜV Italia S.r.l.  
 Fire certification CE B-s2,d0.  
 Absence of bacterial growth certification issued by CSI group IMQ.  
 Declaration of quality office about absence of Cadmium and/or heavy metals.  
 Declaration of quality office about bio-compatibility and recycling

MPS reserves the right to modify products without previous advice.

# CS2841

## SUSPENDED DOUBLE-SIDED PLATES



### DESCRIPTION

Environmental suspended convex double-sided plates.  
 Aluminum profiles and end-caps made of dioxide Titanium Polymers.  
 Suspension kit with steel cables.  
 Interchangeable graphics, with the possibility to manage the insertion of new information.  
 Printing on paper with protection in anti-reflective polymers.  
 Direct printing on support in Titanium Dioxide polymers in the colors listed below.  
 Print on adhesive.  
 Outdoor version totally in aluminum.

### SIZE

B. 841x A. 148 mm.

### COLOR

S0 White - S1 Ivory- S2 Pastel blue - S3 Pastel green - S4 Light grey - S6 Yellow  
 S7 Blue- S8 Moos green - S9 Silver grey - S10 Brown - S12 Red - S14 Salmon

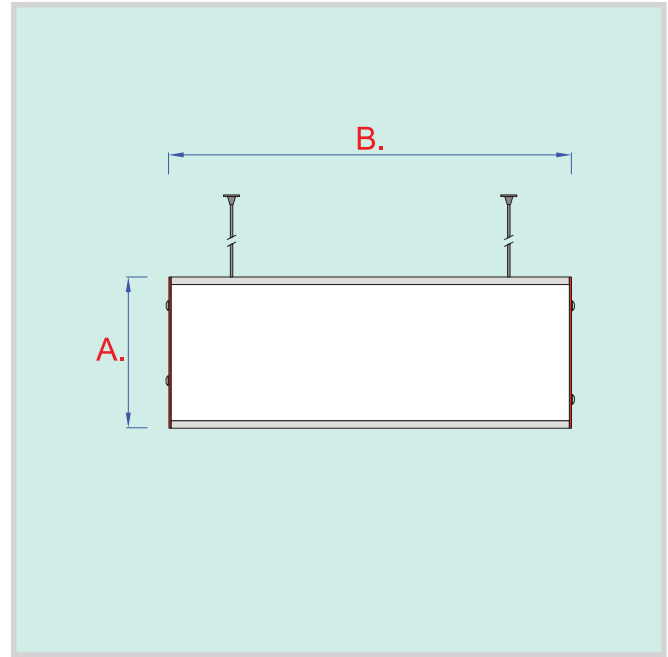
### CERTIFICATIONS

ISO 9001:2015 quality certification issued by TÜV Italia S.r.l.  
 Fire certification CE B-s2,d0.  
 Absence of bacterial growth certification issued by CSI group IMQ.  
 Declaration of quality office about absence of Cadmium and/or heavy metals.  
 Declaration of quality office about bio-compatibility and recycling

MPS reserves the right to modify products without previous advice.

# CS21000

## SUSPENDED DOUBLE-SIDED PLATES



### DESCRIPTION

Environmental suspended convex double-sided plates.  
 Aluminum profiles and end-caps made of dioxide Titanium Polymers.  
 Suspension kit with steel cables.  
 Interchangeable graphics, with the possibility to manage the insertion of new information.  
 Printing on paper with protection in anti-reflective polymers.  
 Direct printing on support in Titanium Dioxide polymers in the colors listed below.  
 Print on adhesive.  
 Outdoor version totally in aluminum.

### SIZE

B. 1000x A. 148 mm.

### COLOR

S0 White - S1 Ivory- S2 Pastel blue - S3 Pastel green - S4 Light grey - S6 Yellow  
 S7 Blue- S8 Moos green - S9 Silver grey - S10 Brown - S12 Red - S14 Salmon

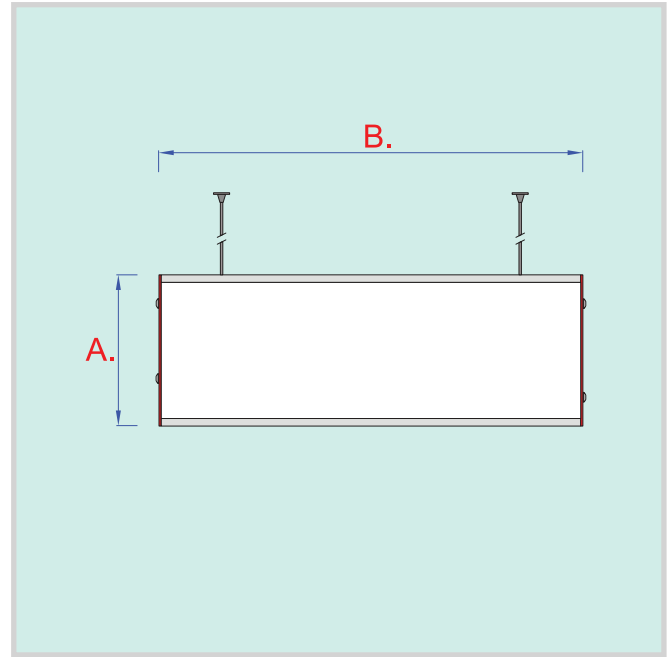
### CERTIFICATIONS

ISO 9001:2015 quality certification issued by TÜV Italia S.r.l.  
 Fire certification CE B-s2,d0.  
 Absence of bacterial growth certification issued by CSI group IMQ.  
 Declaration of quality office about absence of Cadmium and/or heavy metals.  
 Declaration of quality office about bio-compatibility and recycling

MPS reserves the right to modify products without previous advice.

# CS21189

## SUSPENDED DOUBLE-SIDED PLATES



### DESCRIPTION

Environmental suspended convex double-sided plates.  
 Aluminum profiles and end-caps made of dioxide Titanium Polymers.  
 Suspension kit with steel cables.  
 Interchangeable graphics, with the possibility to manage the insertion of new information.  
 Printing on paper with protection in anti-reflective polymers.  
 Direct printing on support in Titanium Dioxide polymers in the colors listed below.  
 Print on adhesive.  
 Outdoor version totally in aluminum.

### SIZE

B. 1189x A. 148 mm.

### COLOR

S0 White - S1 Ivory- S2 Pastel blue - S3 Pastel green - S4 Light grey - S6 Yellow  
 S7 Blue- S8 Moos green - S9 Silver grey - S10 Brown - S12 Red - S14 Salmon

### CERTIFICATIONS

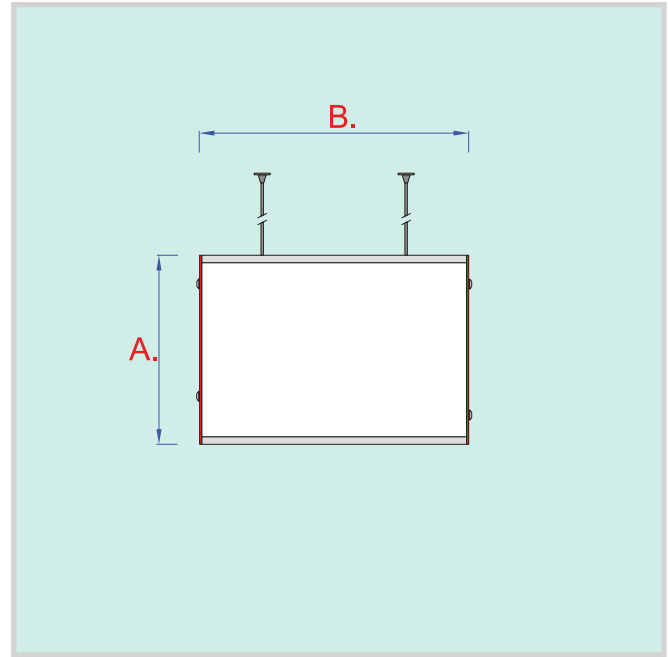
ISO 9001:2015 quality certification issued by TÜV Italia S.r.l.  
 Fire certification CE B-s2,d0.  
 Absence of bacterial growth certification issued by CSI group IMQ.  
 Declaration of quality office about absence of Cadmium and/or heavy metals.  
 Declaration of quality office about bio-compatibility and recycling

MPS reserves the right to modify products without previous advice.



# CS3297

## SUSPENDED DOUBLE-SIDED PLATES



### DESCRIPTION

Environmental suspended convex double-sided plates.  
 Aluminum profiles and end-caps made of dioxide Titanium Polymers.  
 Suspension kit with steel cables.  
 Interchangeable graphics, with the possibility to manage the insertion of new information.  
 Printing on paper with protection in anti-reflective polymers.  
 Direct printing on support in Titanium Dioxide polymers in the colors listed below.  
 Print on adhesive.  
 Outdoor version totally in aluminum.

### SIZE

B. 297x A. 210 mm.

### COLOR

S0 White - S1 Ivory- S2 Pastel blue - S3 Pastel green - S4 Light grey - S6 Yellow  
 S7 Blue- S8 Moos green - S9 Silver grey - S10 Brown - S12 Red - S14 Salmon

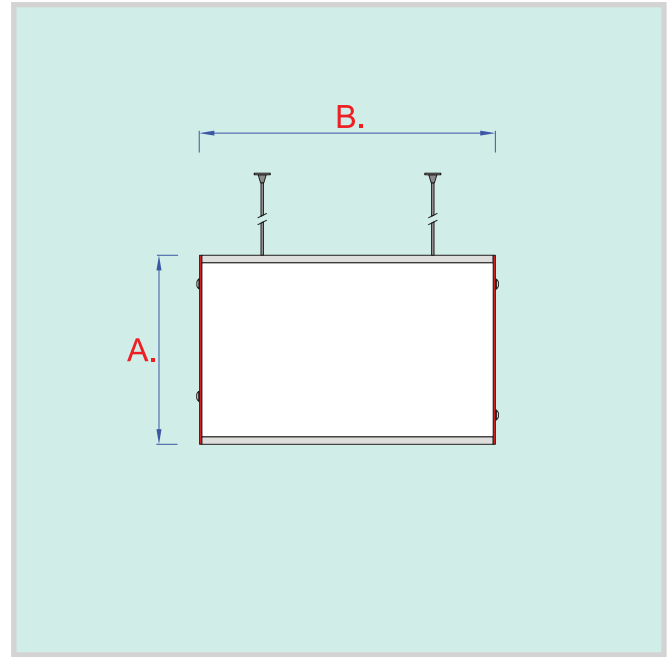
### CERTIFICATIONS

ISO 9001:2015 quality certification issued by TÜV Italia S.r.l.  
 Fire certification CE B-s2,d0.  
 Absence of bacterial growth certification issued by CSI group IMQ.  
 Declaration of quality office about absence of Cadmium and/or heavy metals.  
 Declaration of quality office about bio-compatibility and recycling

MPS reserves the right to modify products without previous advice.

# CS3420

## SUSPENDED DOUBLE-SIDED PLATES



### DESCRIPTION

Environmental suspended convex double-sided plates.  
 Aluminum profiles and end-caps made of dioxide Titanium Polymers.  
 Suspension kit with steel cables.  
 Interchangeable graphics, with the possibility to manage the insertion of new information.  
 Printing on paper with protection in anti-reflective polymers.  
 Direct printing on support in Titanium Dioxide polymers in the colors listed below.  
 Print on adhesive.  
 Outdoor version totally in aluminum.

### SIZE

B. 420x A. 210 mm.

### COLOR

S0 White - S1 Ivory- S2 Pastel blue - S3 Pastel green - S4 Light grey - S6 Yellow  
 S7 Blue- S8 Moos green - S9 Silver grey - S10 Brown - S12 Red - S14 Salmon

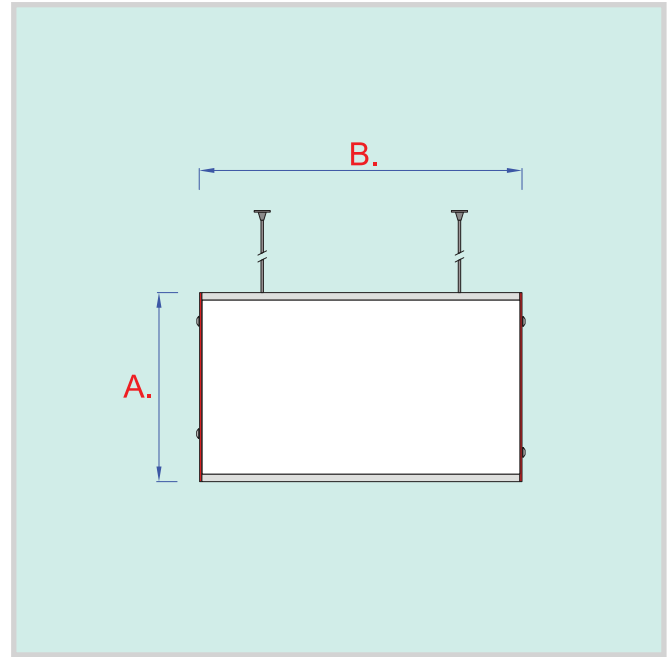
### CERTIFICATIONS

ISO 9001:2015 quality certification issued by TÜV Italia S.r.l.  
 Fire certification CE B-s2,d0.  
 Absence of bacterial growth certification issued by CSI group IMQ.  
 Declaration of quality office about absence of Cadmium and/or heavy metals.  
 Declaration of quality office about bio-compatibility and recycling

MPS reserves the right to modify products without previous advice.

# CS3594

## SUSPENDED DOUBLE-SIDED PLATES



### DESCRIPTION

Environmental suspended convex double-sided plates.  
 Aluminum profiles and end-caps made of dioxide Titanium Polymers.  
 Suspension kit with steel cables.  
 Interchangeable graphics, with the possibility to manage the insertion of new information.  
 Printing on paper with protection in anti-reflective polymers.  
 Direct printing on support in Titanium Dioxide polymers in the colors listed below.  
 Print on adhesive.  
 Outdoor version totally in aluminum.

### SIZE

B. 594x A. 210 mm.

### COLOR

S0 White - S1 Ivory- S2 Pastel blue - S3 Pastel green - S4 Light grey - S6 Yellow  
 S7 Blue- S8 Moos green - S9 Silver grey - S10 Brown - S12 Red - S14 Salmon

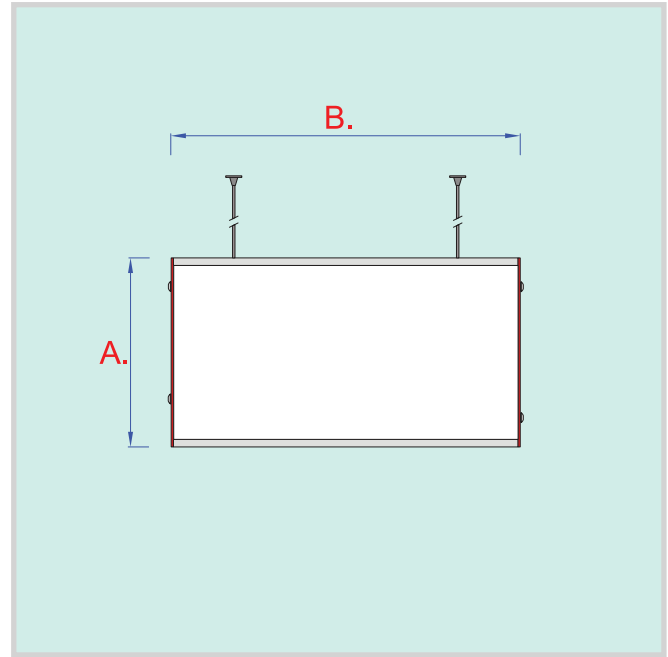
### CERTIFICATIONS

ISO 9001:2015 quality certification issued by TÜV Italia S.r.l.  
 Fire certification CE B-s2,d0.  
 Absence of bacterial growth certification issued by CSI group IMQ.  
 Declaration of quality office about absence of Cadmium and/or heavy metals.  
 Declaration of quality office about bio-compatibility and recycling

MPS reserves the right to modify products without previous advice.

# CS3841

## SUSPENDED DOUBLE-SIDED PLATES



### DESCRIPTION

Environmental suspended convex double-sided plates.  
 Aluminum profiles and end-caps made of dioxide Titanium Polymers.  
 Suspension kit with steel cables.  
 Interchangeable graphics, with the possibility to manage the insertion of new information.  
 Printing on paper with protection in anti-reflective polymers.  
 Direct printing on support in Titanium Dioxide polymers in the colors listed below.  
 Print on adhesive.  
 Outdoor version totally in aluminum.

### SIZE

B. 841x A. 210 mm.

### COLOR

S0 White - S1 Ivory- S2 Pastel blue - S3 Pastel green - S4 Light grey - S6 Yellow  
 S7 Blue- S8 Moos green - S9 Silver grey - S10 Brown - S12 Red - S14 Salmon

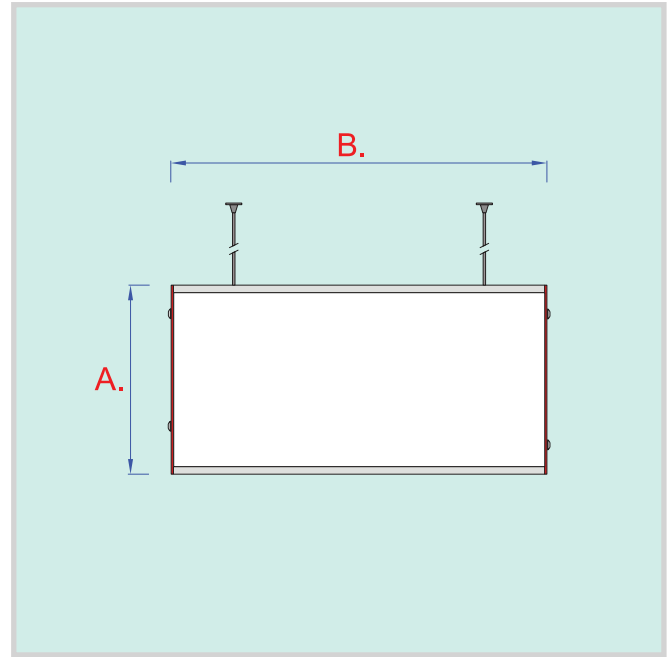
### CERTIFICATIONS

ISO 9001:2015 quality certification issued by TÜV Italia S.r.l.  
 Fire certification CE B-s2,d0.  
 Absence of bacterial growth certification issued by CSI group IMQ.  
 Declaration of quality office about absence of Cadmium and/or heavy metals.  
 Declaration of quality office about bio-compatibility and recycling

MPS reserves the right to modify products without previous advice.

# CS31000

## SUSPENDED DOUBLE-SIDED PLATES



### DESCRIPTION

Environmental suspended convex double-sided plates.  
 Aluminum profiles and end-caps made of dioxide Titanium Polymers.  
 Suspension kit with steel cables.  
 Interchangeable graphics, with the possibility to manage the insertion of new information.  
 Printing on paper with protection in anti-reflective polymers.  
 Direct printing on support in Titanium Dioxide polymers in the colors listed below.  
 Print on adhesive.  
 Outdoor version totally in aluminum.

### SIZE

B. 1000x A. 210 mm.

### COLOR

S0 White - S1 Ivory- S2 Pastel blue - S3 Pastel green - S4 Light grey - S6 Yellow  
 S7 Blue- S8 Moos green - S9 Silver grey - S10 Brown - S12 Red - S14 Salmon

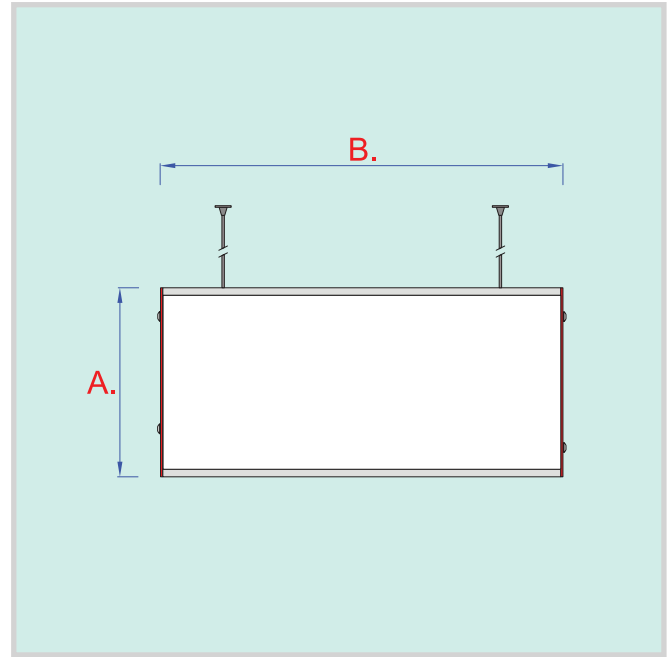
### CERTIFICATIONS

ISO 9001:2015 quality certification issued by TÜV Italia S.r.l.  
 Fire certification CE B-s2,d0.  
 Absence of bacterial growth certification issued by CSI group IMQ.  
 Declaration of quality office about absence of Cadmium and/or heavy metals.  
 Declaration of quality office about bio-compatibility and recycling

MPS reserves the right to modify products without previous advice.

# CS31189

## SUSPENDED DOUBLE-SIDED PLATES



### DESCRIPTION

Environmental suspended convex double-sided plates.  
 Aluminum profiles and end-caps made of dioxide Titanium Polymers.  
 Suspension kit with steel cables.  
 Interchangeable graphics, with the possibility to manage the insertion of new information.  
 Printing on paper with protection in anti-reflective polymers.  
 Direct printing on support in Titanium Dioxide polymers in the colors listed below.  
 Print on adhesive.  
 Outdoor version totally in aluminum.

### SIZE

B. 1189x A. 210 mm.

### COLOR

S0 White - S1 Ivory- S2 Pastel blue - S3 Pastel green - S4 Light grey - S6 Yellow  
 S7 Blue- S8 Moos green - S9 Silver grey - S10 Brown - S12 Red - S14 Salmon

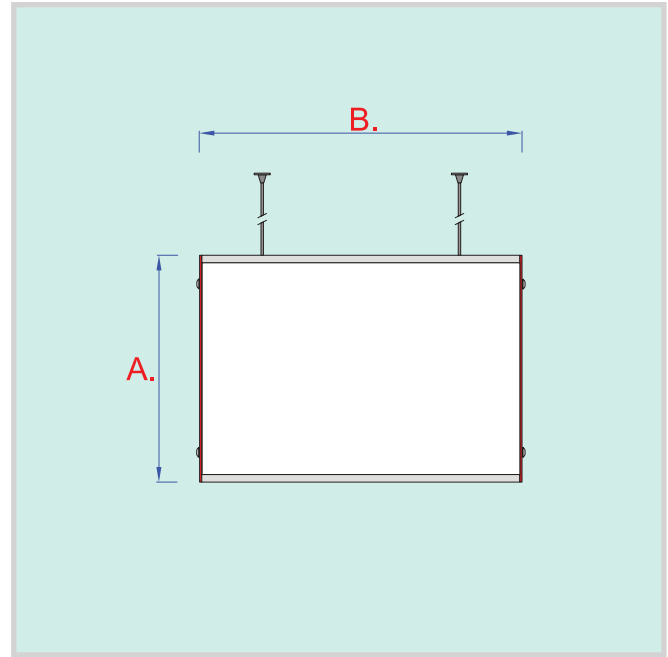
### CERTIFICATIONS

ISO 9001:2015 quality certification issued by TÜV Italia S.r.l.  
 Fire certification CE B-s2,d0.  
 Absence of bacterial growth certification issued by CSI group IMQ.  
 Declaration of quality office about absence of Cadmium and/or heavy metals.  
 Declaration of quality office about bio-compatibility and recycling

MPS reserves the right to modify products without previous advice.

# CS4594

## SUSPENDED DOUBLE-SIDED PLATES



### DESCRIPTION

Environmental suspended convex double-sided plates.  
 Aluminum profiles and end-caps made of dioxide Titanium Polymers.  
 Suspension kit with steel cables.  
 Interchangeable graphics, with the possibility to manage the insertion of new information.  
 Printing on paper with protection in anti-reflective polymers.  
 Direct printing on support in Titanium Dioxide polymers in the colors listed below.  
 Print on adhesive.  
 Outdoor version totally in aluminum.

### SIZE

B. 594x A. 297 mm.

### COLOR

S0 White - S1 Ivory- S2 Pastel blue - S3 Pastel green - S4 Light grey - S6 Yellow  
 S7 Blue- S8 Moos green - S9 Silver grey - S10 Brown - S12 Red - S14 Salmon

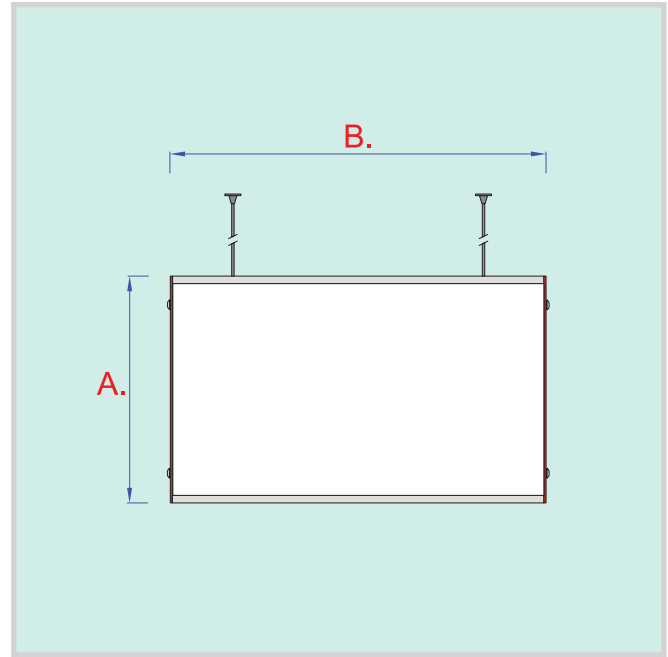
### CERTIFICATIONS

ISO 9001:2015 quality certification issued by TÜV Italia S.r.l.  
 Fire certification CE B-s2,d0.  
 Absence of bacterial growth certification issued by CSI group IMQ.  
 Declaration of quality office about absence of Cadmium and/or heavy metals.  
 Declaration of quality office about bio-compatibility and recycling

MPS reserves the right to modify products without previous advice.

# CS4841

## SUSPENDED DOUBLE-SIDED PLATES



### DESCRIPTION

Environmental suspended convex double-sided plates.  
 Aluminum profiles and end-caps made of dioxide Titanium Polymers.  
 Suspension kit with steel cables.  
 Interchangeable graphics, with the possibility to manage the insertion of new information.  
 Printing on paper with protection in anti-reflective polymers.  
 Direct printing on support in Titanium Dioxide polymers in the colors listed below.  
 Print on adhesive.  
 Outdoor version totally in aluminum.

### SIZE

B. 841x A. 297 mm.

### COLOR

S0 White - S1 Ivory- S2 Pastel blue - S3 Pastel green - S4 Light grey - S6 Yellow  
 S7 Blue- S8 Moos green - S9 Silver grey - S10 Brown - S12 Red - S14 Salmon

### CERTIFICATIONS

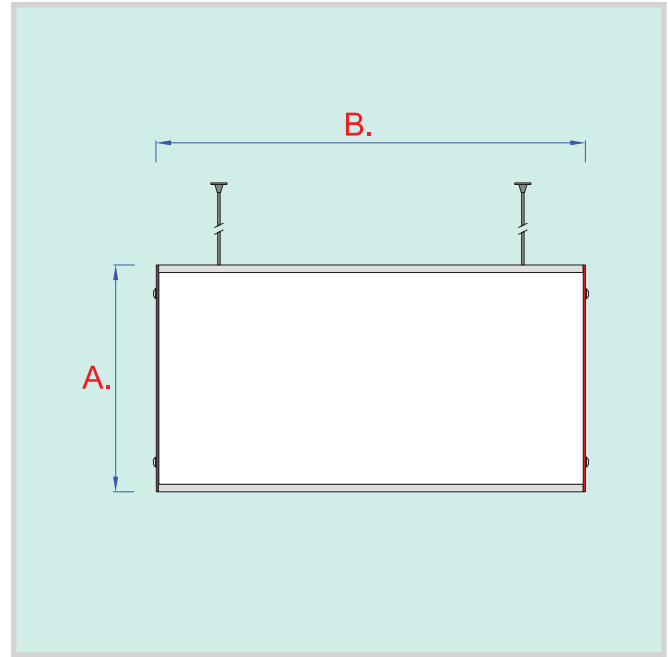
ISO 9001:2015 quality certification issued by TÜV Italia S.r.l.  
 Fire certification CE B-s2,d0.  
 Absence of bacterial growth certification issued by CSI group IMQ.  
 Declaration of quality office about absence of Cadmium and/or heavy metals.  
 Declaration of quality office about bio-compatibility and recycling

MPS reserves the right to modify products without previous advice.



# CS41000

## SUSPENDED DOUBLE-SIDED PLATES



### DESCRIPTION

Environmental suspended convex double-sided plates.  
 Aluminum profiles and end-caps made of dioxide Titanium Polymers.  
 Suspension kit with steel cables.  
 Interchangeable graphics, with the possibility to manage the insertion of new information.  
 Printing on paper with protection in anti-reflective polymers.  
 Direct printing on support in Titanium Dioxide polymers in the colors listed below.  
 Print on adhesive.  
 Outdoor version totally in aluminum.

### SIZE

B. 1000x A. 297 mm.

### COLOR

S0 White - S1 Ivory- S2 Pastel blue - S3 Pastel green - S4 Light grey - S6 Yellow  
 S7 Blue- S8 Moos green - S9 Silver grey - S10 Brown - S12 Red - S14 Salmon

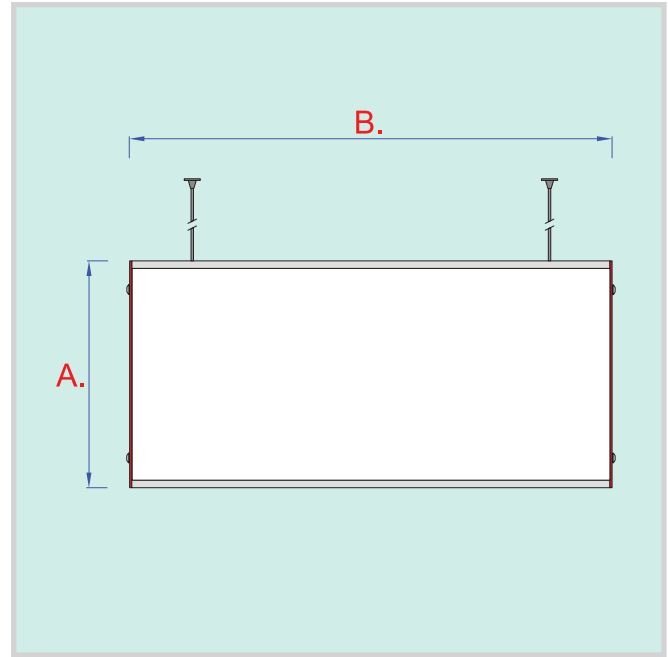
### CERTIFICATIONS

ISO 9001:2015 quality certification issued by TÜV Italia S.r.l.  
 Fire certification CE B-s2,d0.  
 Absence of bacterial growth certification issued by CSI group IMQ.  
 Declaration of quality office about absence of Cadmium and/or heavy metals.  
 Declaration of quality office about bio-compatibility and recycling

MPS reserves the right to modify products without previous advice.

# CS41189

## SUSPENDED DOUBLE-SIDED PLATES



### DESCRIPTION

Environmental suspended convex double-sided plates.  
 Aluminum profiles and end-caps made of dioxide Titanium Polymers.  
 Suspension kit with steel cables.  
 Interchangeable graphics, with the possibility to manage the insertion of new information.  
 Printing on paper with protection in anti-reflective polymers.  
 Direct printing on support in Titanium Dioxide polymers in the colors listed below.  
 Print on adhesive.  
 Outdoor version totally in aluminum.

### SIZE

B. 1189x A. 297 mm.

### COLOR

S0 White - S1 Ivory- S2 Pastel blue - S3 Pastel green - S4 Light grey - S6 Yellow  
 S7 Blue- S8 Moos green - S9 Silver grey - S10 Brown - S12 Red - S14 Salmon

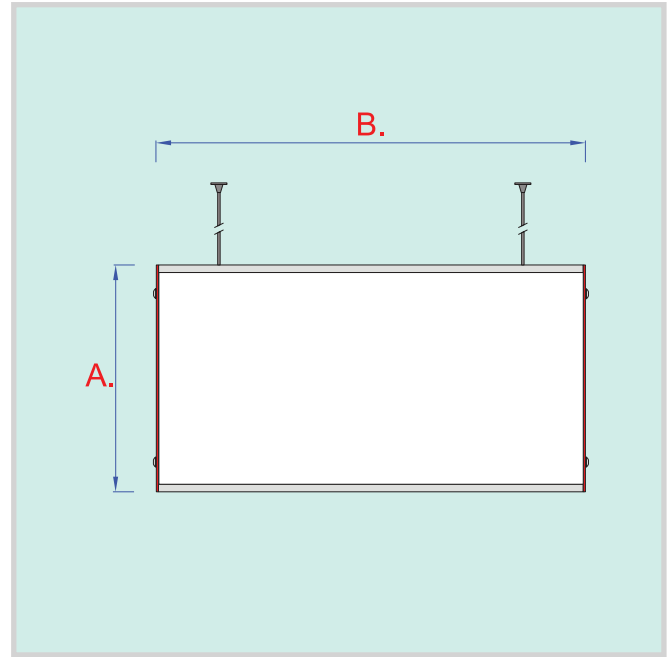
### CERTIFICATIONS

ISO 9001:2015 quality certification issued by TÜV Italia S.r.l.  
 Fire certification CE B-s2,d0.  
 Absence of bacterial growth certification issued by CSI group IMQ.  
 Declaration of quality office about absence of Cadmium and/or heavy metals.  
 Declaration of quality office about bio-compatibility and recycling

MPS reserves the right to modify products without previous advice.

# CS5841

## SUSPENDED DOUBLE-SIDED PLATES



### DESCRIPTION

Environmental suspended convex double-sided plates.  
 Aluminum profiles and end-caps made of dioxide Titanium Polymers.  
 Suspension kit with steel cables.  
 Interchangeable graphics, with the possibility to manage the insertion of new information.  
 Printing on paper with protection in anti-reflective polymers.  
 Direct printing on support in Titanium Dioxide polymers in the colors listed below.  
 Print on adhesive.  
 Outdoor version totally in aluminum.

### SIZE

B. 841x A. 420 mm.

### COLOR

S0 White - S1 Ivory- S2 Pastel blue - S3 Pastel green - S4 Light grey - S6 Yellow  
 S7 Blue- S8 Moos green - S9 Silver grey - S10 Brown - S12 Red - S14 Salmon

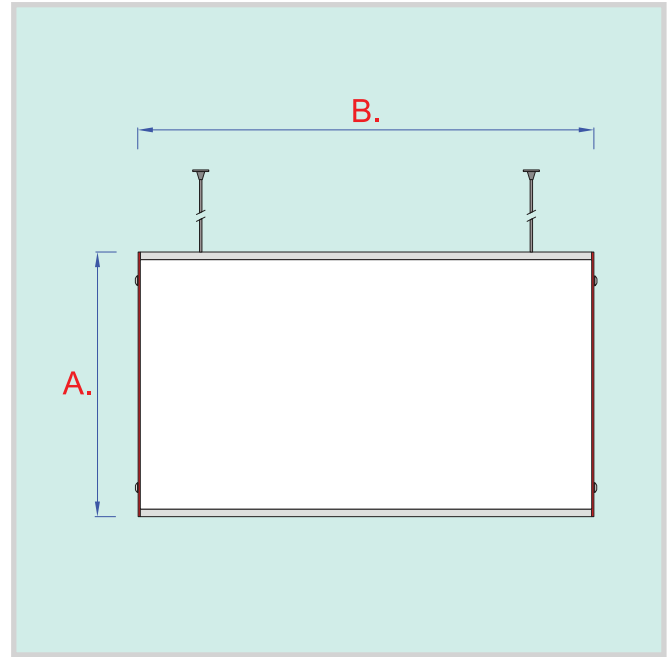
### CERTIFICATIONS

ISO 9001:2015 quality certification issued by TÜV Italia S.r.l.  
 Fire certification CE B-s2,d0.  
 Absence of bacterial growth certification issued by CSI group IMQ.  
 Declaration of quality office about absence of Cadmium and/or heavy metals.  
 Declaration of quality office about bio-compatibility and recycling

MPS reserves the right to modify products without previous advice.

# CS51000

## SUSPENDED DOUBLE-SIDED PLATES



### DESCRIPTION

Environmental suspended convex double-sided plates.  
 Aluminum profiles and end-caps made of dioxide Titanium Polymers.  
 Suspension kit with steel cables.  
 Interchangeable graphics, with the possibility to manage the insertion of new information.  
 Printing on paper with protection in anti-reflective polymers.  
 Direct printing on support in Titanium Dioxide polymers in the colors listed below.  
 Print on adhesive.  
 Outdoor version totally in aluminum.

### SIZE

B. 1000x A. 420 mm.

### COLOR

S0 White - S1 Ivory- S2 Pastel blue - S3 Pastel green - S4 Light grey - S6 Yellow  
 S7 Blue- S8 Moos green - S9 Silver grey - S10 Brown - S12 Red - S14 Salmon

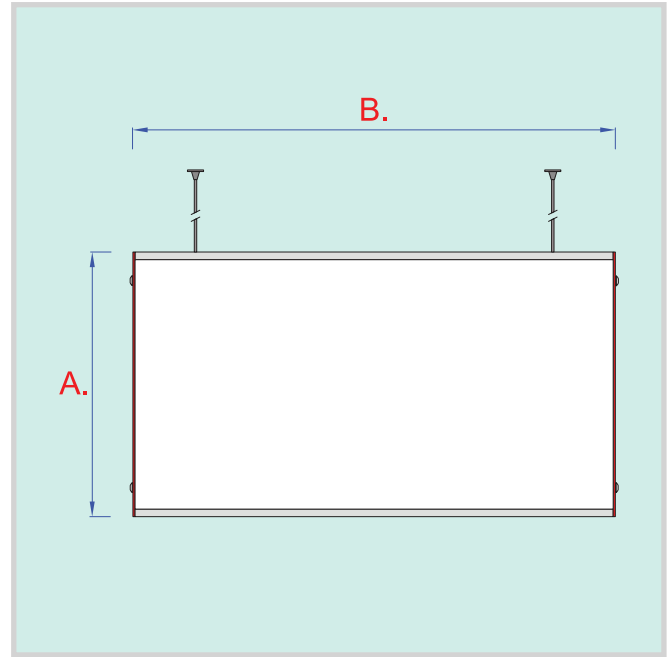
### CERTIFICATIONS

ISO 9001:2015 quality certification issued by TÜV Italia S.r.l.  
 Fire certification CE B-s2,d0.  
 Absence of bacterial growth certification issued by CSI group IMQ.  
 Declaration of quality office about absence of Cadmium and/or heavy metals.  
 Declaration of quality office about bio-compatibility and recycling

MPS reserves the right to modify products without previous advice.

# CS51189

## SUSPENDED DOUBLE-SIDED PLATES



### DESCRIPTION

Environmental suspended convex double-sided plates.  
 Aluminum profiles and end-caps made of dioxide Titanium Polymers.  
 Suspension kit with steel cables.  
 Interchangeable graphics, with the possibility to manage the insertion of new information.  
 Printing on paper with protection in anti-reflective polymers.  
 Direct printing on support in Titanium Dioxide polymers in the colors listed below.  
 Print on adhesive.  
 Outdoor version totally in aluminum.

### SIZE

B. 1189 x A. 594 mm.

### COLOR

S0 White - S1 Ivory- S2 Pastel blue - S3 Pastel green - S4 Light grey - S6 Yellow  
 S7 Blue- S8 Moos green - S9 Silver grey - S10 Brown - S12 Red - S14 Salmon

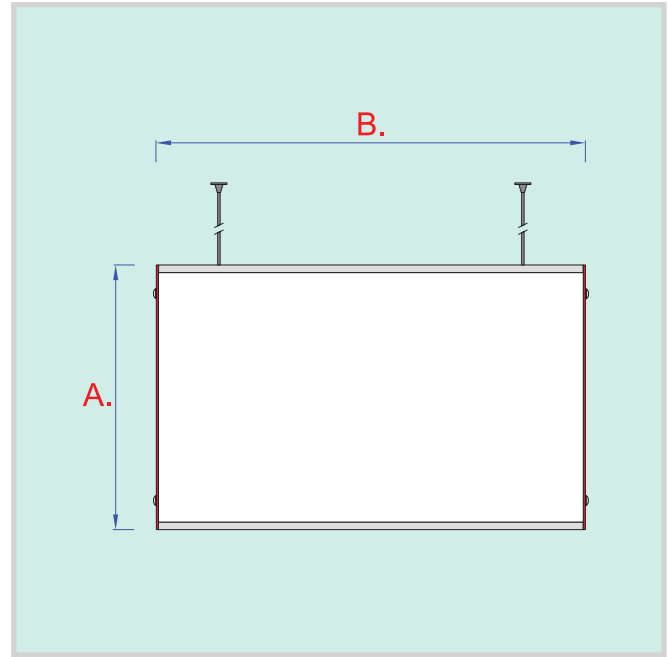
### CERTIFICATIONS

ISO 9001:2015 quality certification issued by TÜV Italia S.r.l.  
 Fire certification CE B-s2,d0.  
 Absence of bacterial growth certification issued by CSI group IMQ.  
 Declaration of quality office about absence of Cadmium and/or heavy metals.  
 Declaration of quality office about bio-compatibility and recycling

MPS reserves the right to modify products without previous advice.

# CS6841

## SUSPENDED DOUBLE-SIDED PLATES



### DESCRIPTION

Environmental suspended convex double-sided plates.  
 Aluminum profiles and end-caps made of dioxide Titanium Polymers.  
 Suspension kit with steel cables.  
 Interchangeable graphics, with the possibility to manage the insertion of new information.  
 Printing on paper with protection in anti-reflective polymers.  
 Direct printing on support in Titanium Dioxide polymers in the colors listed below.  
 Print on adhesive.  
 Outdoor version totally in aluminum.

### SIZE

B. 841 x A. 594 mm.

### COLOR

S0 White - S1 Ivory- S2 Pastel blue - S3 Pastel green - S4 Light grey - S6 Yellow  
 S7 Blue- S8 Moos green - S9 Silver grey - S10 Brown - S12 Red - S14 Salmon

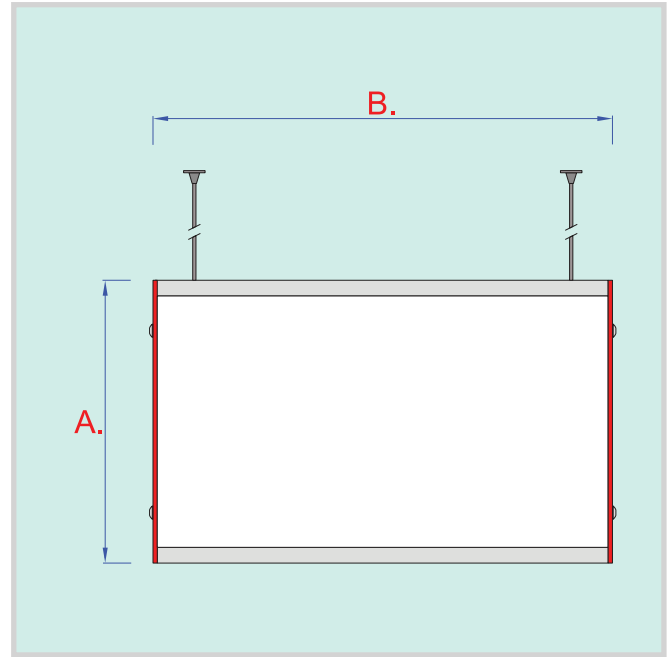
### CERTIFICATIONS

ISO 9001:2015 quality certification issued by TÜV Italia S.r.l.  
 Fire certification CE B-s2,d0.  
 Absence of bacterial growth certification issued by CSI group IMQ.  
 Declaration of quality office about absence of Cadmium and/or heavy metals.  
 Declaration of quality office about bio-compatibility and recycling

MPS reserves the right to modify products without previous advice.

# CS61000

## SUSPENDED DOUBLE-SIDED PLATES



### DESCRIPTION

Environmental suspended convex double-sided plates.  
 Aluminum profiles and end-caps made of dioxide Titanium Polymers.  
 Suspension kit with steel cables.  
 Interchangeable graphics, with the possibility to manage the insertion of new information.  
 Printing on paper with protection in anti-reflective polymers.  
 Direct printing on support in Titanium Dioxide polymers in the colors listed below.  
 Print on adhesive.  
 Outdoor version totally in aluminum.

### SIZE

B. 1000 x A. 594 mm.

### COLOR

S0 White - S1 Ivory- S2 Pastel blue - S3 Pastel green - S4 Light grey - S6 Yellow  
 S7 Blue- S8 Moos green - S9 Silver grey - S10 Brown - S12 Red - S14 Salmon

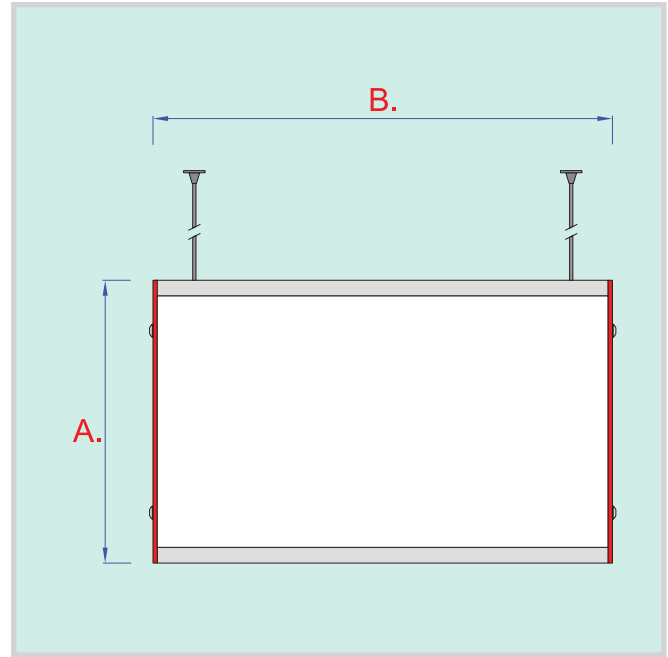
### CERTIFICATIONS

ISO 9001:2015 quality certification issued by TÜV Italia S.r.l.  
 Fire certification CE B-s2,d0.  
 Absence of bacterial growth certification issued by CSI group IMQ.  
 Declaration of quality office about absence of Cadmium and/or heavy metals.  
 Declaration of quality office about bio-compatibility and recycling

MPS reserves the right to modify products without previous advice.

# CS61189

## SUSPENDED DOUBLE-SIDED PLATES



### DESCRIPTION

Environmental suspended convex double-sided plates.  
 Aluminum profiles and end-caps made of dioxide Titanium Polymers.  
 Suspension kit with steel cables.  
 Interchangeable graphics, with the possibility to manage the insertion of new information.  
 Printing on paper with protection in anti-reflective polymers.  
 Direct printing on support in Titanium Dioxide polymers in the colors listed below.  
 Print on adhesive.  
 Outdoor version totally in aluminum.

### SIZE

B. 1189x A. 594 mm.

### COLOR

S0 White - S1 Ivory- S2 Pastel blue - S3 Pastel green - S4 Light grey - S6 Yellow  
 S7 Blue- S8 Moos green - S9 Silver grey - S10 Brown - S12 Red - S14 Salmon

### CERTIFICATIONS

ISO 9001:2015 quality certification issued by TÜV Italia S.r.l.  
 Fire certification CE B-s2,d0.  
 Absence of bacterial growth certification issued by CSI group IMQ.  
 Declaration of quality office about absence of Cadmium and/or heavy metals.  
 Declaration of quality office about bio-compatibility and recycling

MPS reserves the right to modify products without previous advice.